

General Installation Instructions

WARNING

To reduce the risk of death, injury or property damage from fire, electric shock, cuts, abrasions, falling parts and other hazards:

- Service of the equipment must be performed by qualified service personnel.
- Installation and maintenance must be performed by a person familiar with the construction and operation of this product and any hazards involved. All applicable codes and ordinances must be followed.
- Read this document before installing, servicing or maintaining this equipment or installing a lamp. These instructions do not cover all installation, service and maintenance situations. If your situation is not covered, or, if you do not understand these instructions or additional information is required, contact Peerless Lighting or your local Peerless Lighting distributor.
- Read and follow all warnings and instructions provided by the lamp manufacturer.

WARNING

Before installing, servicing or maintaining this equipment, follow these general precautions. To reduce the risk of electrocution:

- Make sure the equipment is properly grounded.
- Always de-energize the circuit and/or equipment before connecting to, disconnecting from or servicing the equipment.

To prevent luminaire row from over-current:

- By adding the input current of each luminaire section marked on the luminaire, the total current per power feed must not exceed the maximum line wire amperage marked on the luminaire and the power feed cord/wire amperage rating whichever is the least.

To reduce the risk of fire:

- Keep material away that can burn from hot lamp.
- Make sure lamps are correctly installed.
- Use supply conductors with a minimum installation temperature rating as specified on equipment.

To reduce the risk of personal injury from cuts, abrasions or falling parts:

- Wear gloves to prevent cuts or abrasions from sharp edges when removing from carton, handling and maintaining this equipment.
- Do not use abrasive materials, glass cleaners or other solvents on reflector or lens. These substances may damage equipment and cause parts to eventually break and fall.
- Do not install a damaged fixture.

CAUTION

Observe lamp manufacturer's recommendations and restrictions on lamp operation including but not limited to ballast type, burning position, replacement and cycling. Use only lamps that comply with applicable ANSI standards.

NOTICE: If lamp is marked (Hg) it contains mercury. Follow disposal laws. See www.lamprecycle.org

Peerless Lighting, a division of Acuity Brands Lighting, Inc., assumes no responsibility for claims arising out of improper or careless installation or handling of this product.

SAVE THESE INSTALLATION INSTRUCTIONS

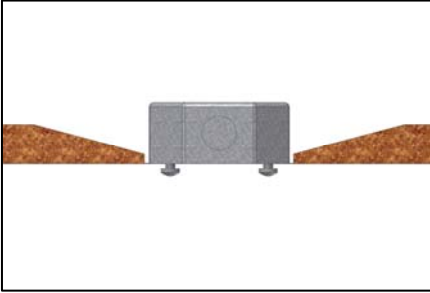
Part Number: PIN004100 Revision: E Effective Date: 07/2012 ECO3665

PIN001000
RIGID STEM MOUNTING KIT
INSTALLATION INSTRUCTIONS
Rev. B 9/09 ECO3579

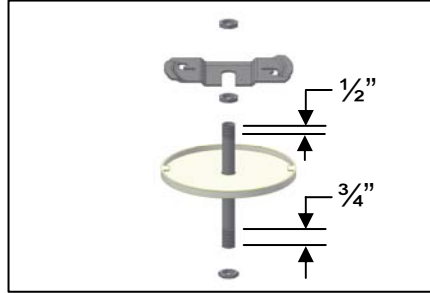
PEERLESS[®]

PEERLESS LIGHTING
P.O. BOX 2556, BERKELEY CA94702-0556
TEL: 510-845-2760 FAX: 510-845-2776
WEB SITE: WWW.PEERLESS-LIGHTING.COM

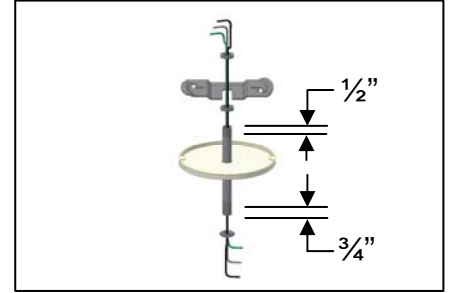
WARNING: Risk of fire and electrical shock. This product must be installed in accordance with the applicable installation code by a person familiar with the construction and operation of the production and the hazards involved



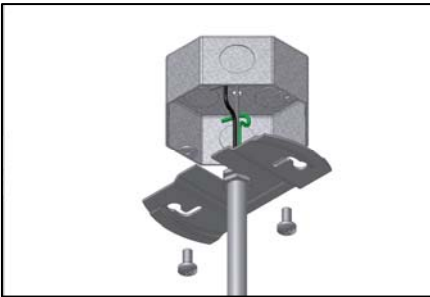
1. Secure the 4" octagonal junction box so that it is flush with ceiling level.



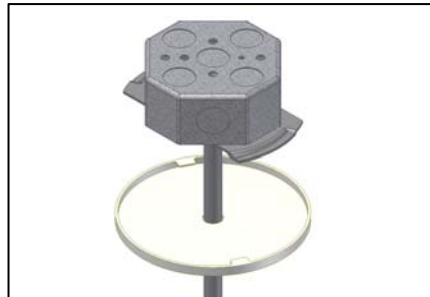
2a. Non-feed location - Securely fasten the mounting strap on to the stem at the 1/2" end. Place the stem through the canopy. Thread one nut on the other end of the stem.



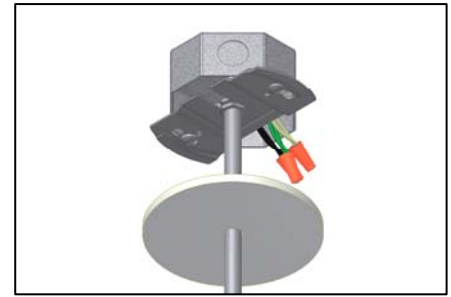
2b. At feed location - Securely fasten the mounting strap on to the stem at the 1/2" end. Place the stem through the canopy. Thread one nut on the other end of the stem. Insert the power wires through stem.



3. Raise stem set in position. Install the mounting strap to the junction box with two screws. See page 3 & 4 of this installation if using heavy-duty brace.



4a. Non-feed location - Raise the canopy in to place.

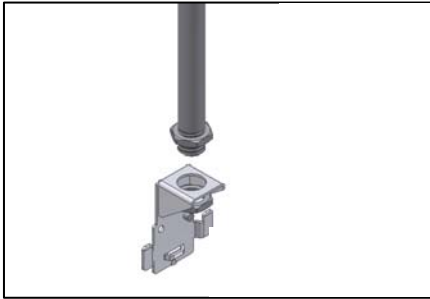


4b. At feed location - Splice the fixture power wires and building power wires together in the junction box. Raise the canopy in to place.

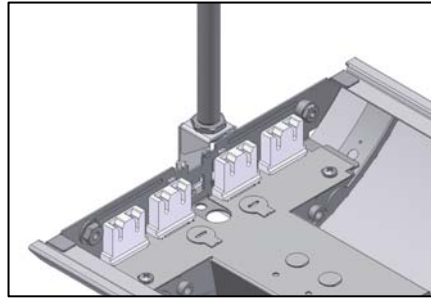


5. Twist the canopy clockwise onto the mounting strap securely to complete the installation.

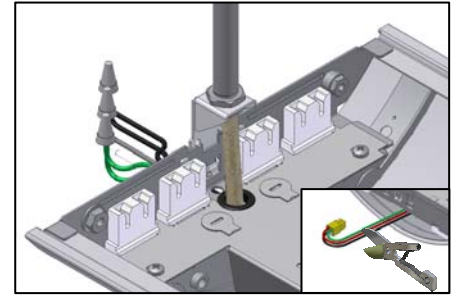
PIN001000
RIGID STEM MOUNTING KIT
INSTALLATION INSTRUCTIONS
Rev. B 9/09 ECO3579



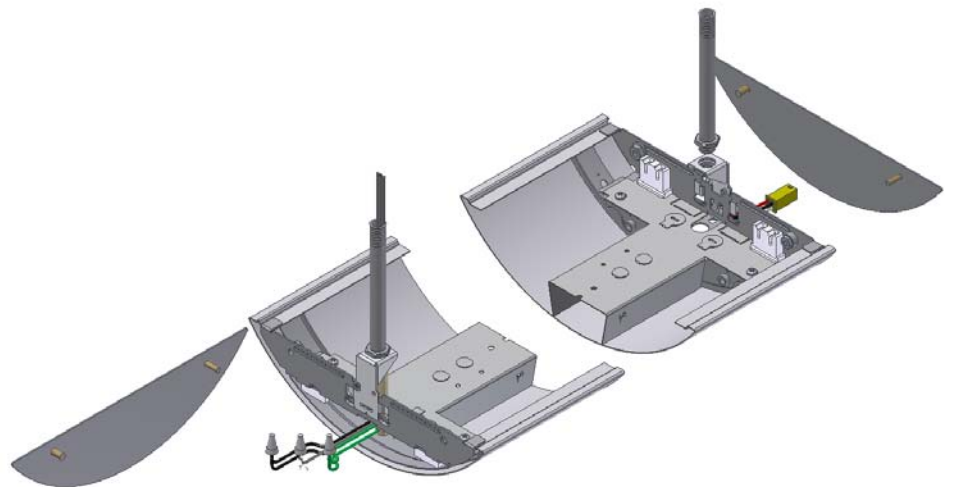
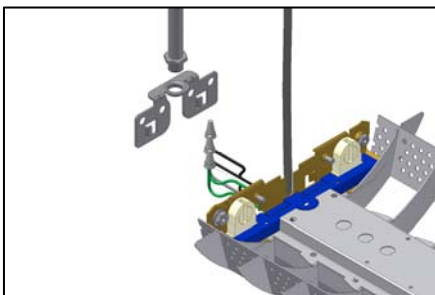
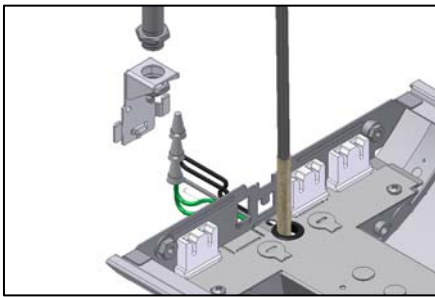
6. Insert the stem at 3/4" end onto stem hanger and lock with bottom and top nuts.



7a. Non-feed location - Hook the hanger to the female connector end of the fixture. Cap unused wires where applicable. Install end-cap.

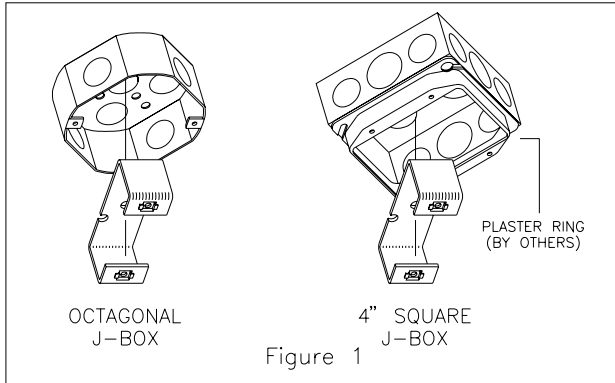


7b. At feed location - Insert power wires through sleeve, bushing, and knockout on the male connector end of the fixture. Hook stem hanger onto fixture. Secure the hanger with #8 flat head screw. Cut off male wire connector. Install end-cap.



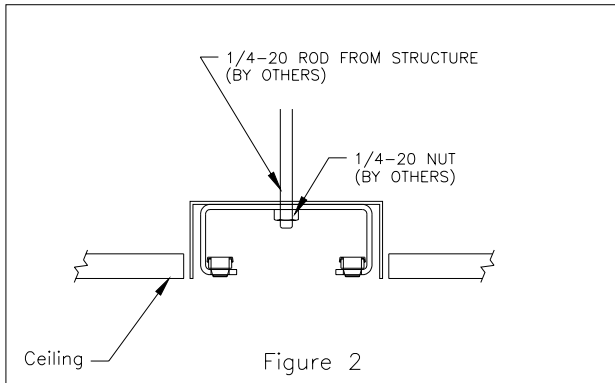
PIN001000
RIGID STEM MOUNTING KIT
INSTALLATION INSTRUCTIONS
Rev. B 9/09 ECO3579

INSTALL REINFORCE HEAVY DUTY BRACE

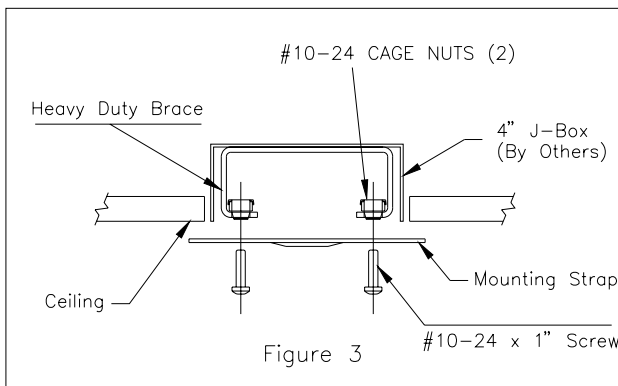


1. Insert the Heavy Duty Brace diagonally into the J-Box and align the holes in the bracket with the existing holes in the J-Box.

NOTE: When using a 4" Square J-Box, a two device plaster ring must be used to allow insertion of the bracket after the box has been installed. See Figure 1.



2. Determine the appropriate support method for ceiling construction (sample method is shown on Figure 2). Attach the appropriate fastening devices through the holes of the bracket and box and secure the assembly to the support structure.



3. Complete the installation in accordance with the fixture installation instructions, attaching the fixture mounting strap to the Heavy Duty Brace with the #10-24 machine screws provided. See Figure 3.

PIN001000
RIGID STEM MOUNTING KIT
INSTALLATION INSTRUCTIONS
Rev. B 9/09 ECO3579

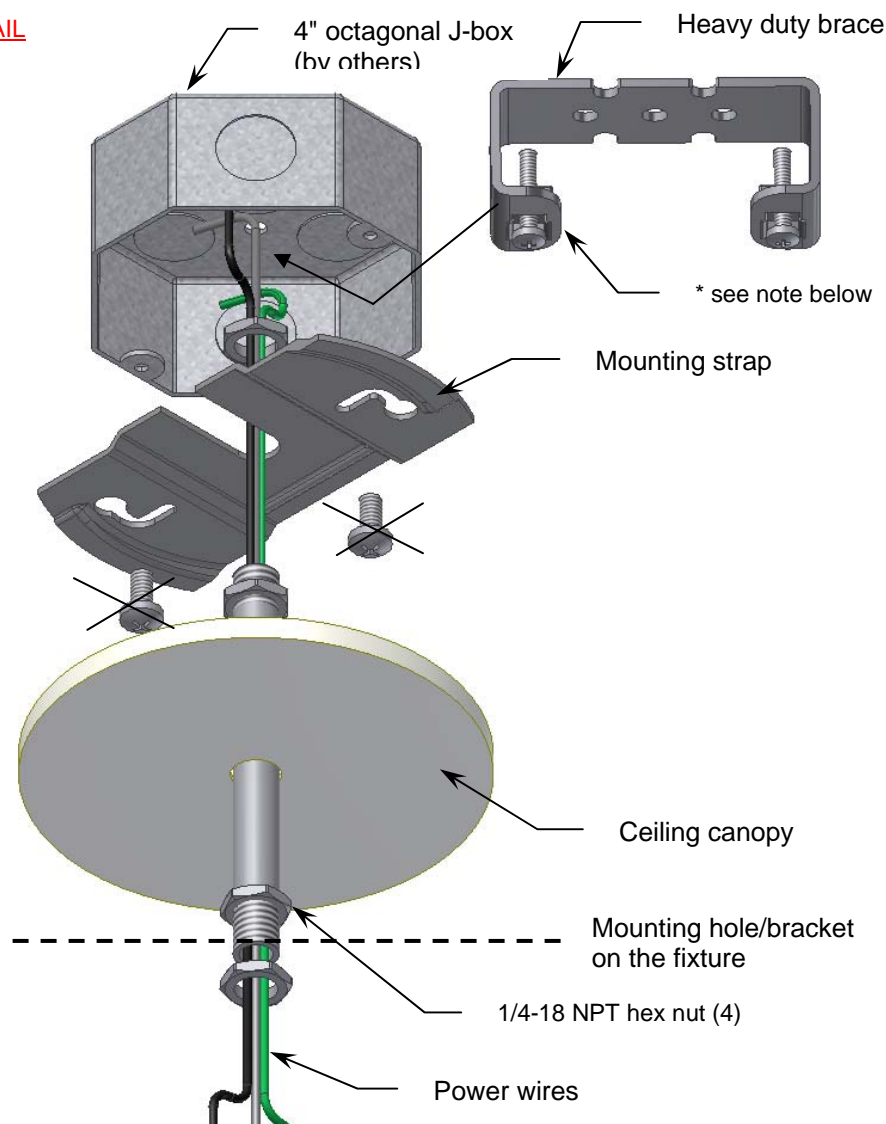
CAUTION: IT IS CRITICAL THAT SUPPORT LOCATIONS ARE LOCATED ACCURATELY. WE RECOMMEND THAT A LASER DEVICE BE USED TO LINE UP THE SUPPORT LOCATIONS ON FIXTURES HAVING MORE THAN ONE SECTION. IF NOT ALIGNED PROPERLY, A NOTICEABLE "BEND" MAY BE APPARENT WHEN VIEWED FROM THE END OF THE RUN.

WARNING: Risk of fire and electrical shock. This product must be installed in accordance with the applicable installation code by a person familiar with the construction and operation of the production and the hazards involved

The contractor needs to provide following parts to complete installation.

*) 4" octagonal x 1 1/2" deep J-box with 1/2" K.O. on middle of side.

* **MOUNGTING DETAIL**



NOTE:

The heavy duty brace must be used at a mounting point where the fixture weight exceeds the 50 LBS. maximum weight allowance of a standard junction box.