

# General Installation Instructions

**▲ WARNING**

To reduce the risk of death, injury or property damage from fire, electric shock, cuts, abrasions, falling parts and other hazards:

- Service of the equipment must be performed by qualified service personnel.
- Installation and maintenance must be performed by a person familiar with the construction and operation of this product and any hazards involved. All applicable codes and ordinances must be followed.
- Read this document before installing, servicing or maintaining this equipment or installing a lamp. These instructions do not cover all installation, service and maintenance situations. If your situation is not covered, or, if you do not understand these instructions or additional information is required, contact Peerless Lighting or your local Peerless Lighting distributor.
- Read and follow all warnings and instructions provided by the lamp manufacturer.

**▲ WARNING**

Before installing, servicing or maintaining this equipment, follow these general precautions. To reduce the risk of electrocution:

- Make sure the equipment is properly grounded.
- Always de-energize the circuit and/or equipment before connecting to, disconnecting from or servicing the equipment.

To prevent luminaire row from over-current:

- By adding the input current of each luminaire section marked on the luminaire, the total current per power feed must not exceed the maximum line wire amperage marked on the luminaire and the power feed cord/wire amperage rating whichever is the least.

To reduce the risk of fire:

- Keep material away that can burn from hot lamp.
- Make sure lamps are correctly installed.
- Use supply conductors with a minimum installation temperature rating as specified on equipment.

To reduce the risk of personal injury from cuts, abrasions or falling parts:

- Wear gloves to prevent cuts or abrasions from sharp edges when removing from carton, handling and maintaining this equipment.
- Do not use abrasive materials, glass cleaners or other solvents on reflector or lens. These substances may damage equipment and cause parts to eventually break and fall.
- Do not install a damaged fixture.

**▲ CAUTION**

Observe lamp manufacturer's recommendations and restrictions on lamp operation including but not limited to ballast type, burning position, replacement and cycling. Use only lamps that comply with applicable ANSI standards.

**NOTICE:** If lamp is marked (Hg) it contains mercury. Follow disposal laws. See [www.lamprecycle.org](http://www.lamprecycle.org)

**Peerless Lighting, a division of Acuity Brands Lighting, Inc., assumes no responsibility for claims arising out of improper or careless installation or handling of this product.**

**SAVE THESE INSTALLATION INSTRUCTIONS**

Part Number: PIN004100 Revision: E Effective Date: 07/2012 ECO3665

PIN000100

PEERLESS®

UNIVERSAL MOUNTING

FEED LOCATION

INSTALLATION INSTRUCTION

Rev. D 11/11 ECO 3751

PEERLESS LIGHTING

2246 5TH STREET, BERKELEY CA. 94710  
TEL: 510-845-2760 FAX: 510-845-2776  
WEB SITE: WWW.PEERLESS-LIGHTING.COM

These installation instructions are for installing the F1 Mounting Kit at FEED Location.

**CAUTION: IT IS CRITICAL THAT SUPPORT LOCATIONS ARE LOCATED ACCURATELY. WE RECOMMEND THAT A LASER DEVICE BE USED TO LINE UP THE SUPPORT LOCATIONS ON FIXTURES HAVING MORE THAN ONE SECTION. IF NOT ALIGNED PROPERLY, A NOTICEABLE "BEND" MAY BE APPARENT WHEN VIEWED FROM THE END OF THE RUN.**

**WARNING: RISK OF FIRE AND ELECTRICAL SHOCK. THIS PRODUCT TO BE INSTALLED ONLY BY A QUALIFIED ELECTRICIAN.**

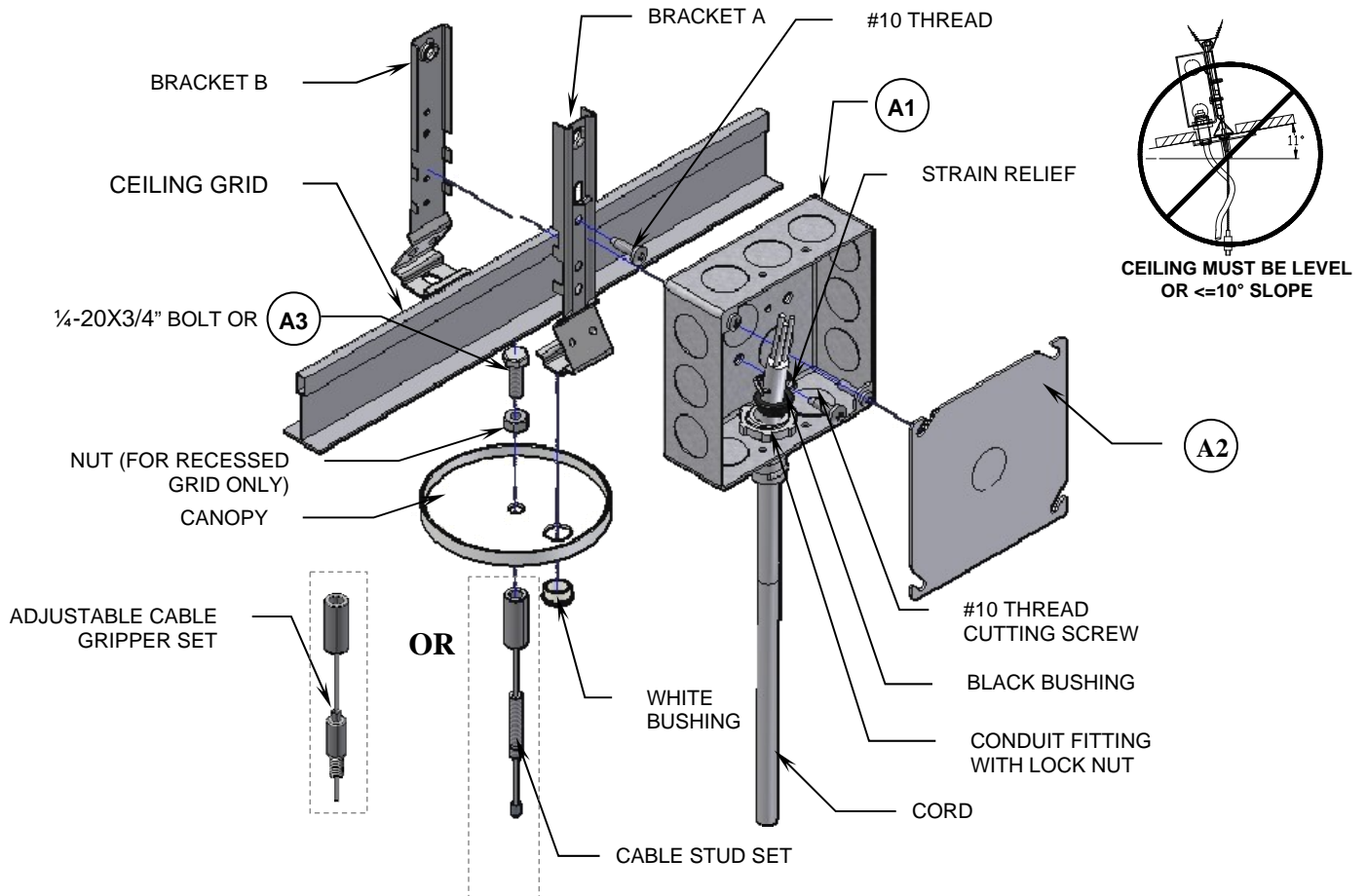
NOTE: THIS MOUNTING ASSEMBLY IS UL AND C-UL LISTED WITH THE LUMINAIRE (UL FILE 48952).

A) Parts Not Provided by PEERLESS -----	page 1
B) On-Grid Installation -----	pages 1-2
C) Off-Grid Installation -----	page 3

**A) Parts Not Provided by PEERLESS**

Depending on ceiling mounting type, contractor must obtain some or all of the following parts to complete installation (see parts list):

- (A1) 4" square x 1-1/2" deep J-box with 1/2" knockout on middle of side.
- (A2) J-box cover and screws.
- (A3) 1/4-20 steel zinc plated hex head bolt (see Section D for bolt length).
- (A4) Caddy Bar (CADDY #512A or equal) for Off-Grid Mounting (see page 3).



PIN000100

## UNIVERSAL MOUNTING

FEED LOCATION

### INSTALLATION INSTRUCTION

Rev. D 11/11 ECO 3751

# PEERLESS®

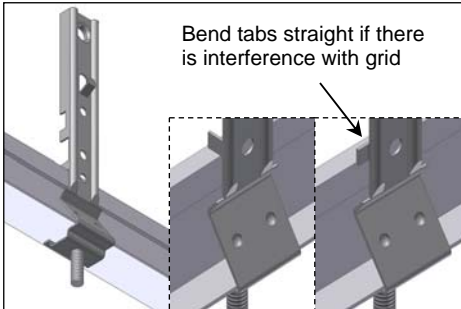
PEERLESS LIGHTING

2246 5TH STREET, BERKELEY CA. 94710

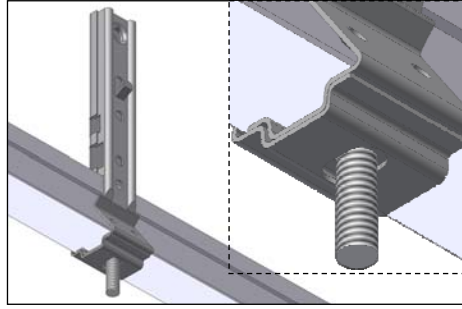
TEL: 510-845-2760 FAX: 510-845-2776

WEB SITE: WWW.PEERLESS-LIGHTING.COM

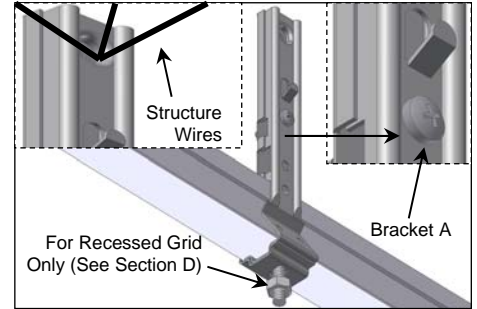
#### B2. ON-GRID INSTALLATION STEPS:



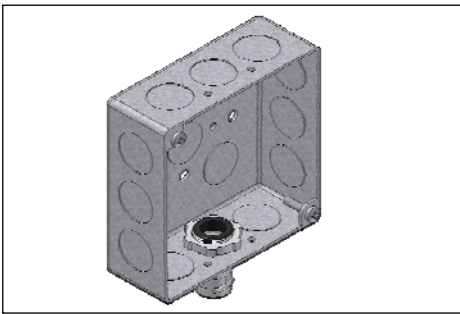
1. Insert bolt into bottom hole of Bracket A, then hook Bracket A onto grid.



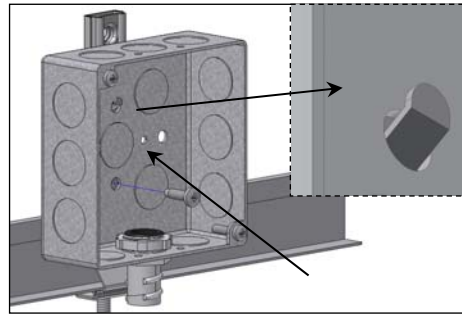
2. Hook Bracket B onto Bracket A



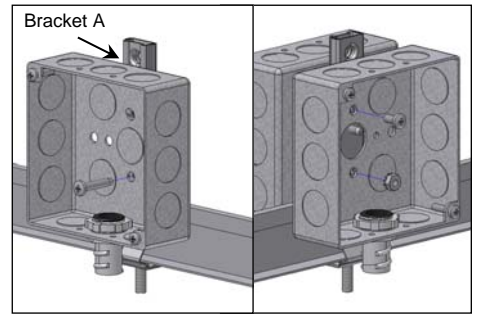
3. Adjust brackets to proper location then screw the brackets from A to B together. Secure the brackets to the structure above.



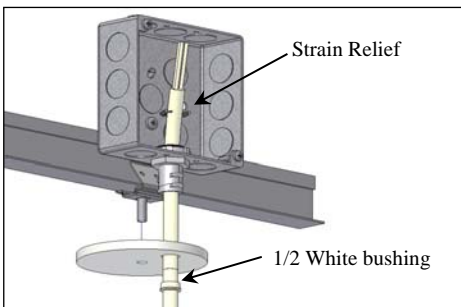
4. Attach black bushing and conduit fitting to J-box.



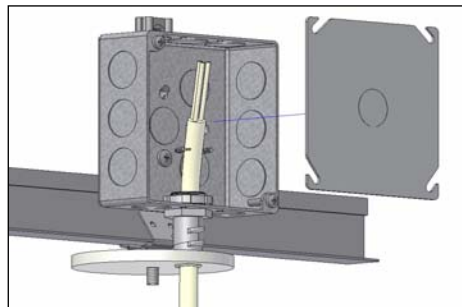
5. Hang J-Box assembly on bracket A tab. For single feed, screw J-Box to brackets.



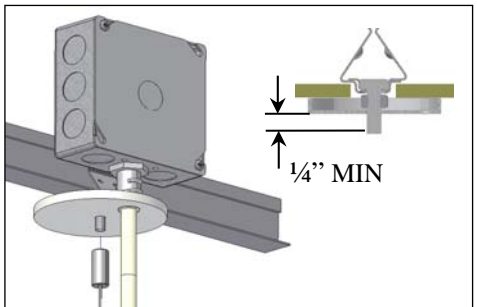
- 5A. For dual feeds, hang first J-box with long screw on the bracket A. Take center knock-out on the second J-box. Screw second J-box to bracket B. Then add nut to connect two boxes together.



6. Insert feed cord into J-Box through bushings and canopy. Attach strain relief on the cord.



7. Connect wires and install the cover to J-Box with screws.



8. Place canopy flush with ceiling tile. Thread cable retainer onto bolt no less than 1/4".

PIN000100

PEERLESS

UNIVERSAL MOUNTING

PEERLESS LIGHTING

FEED LOCATION

2246 5TH STREET, BERKELEY CA.94710

INSTALLATION INSTRUCTION

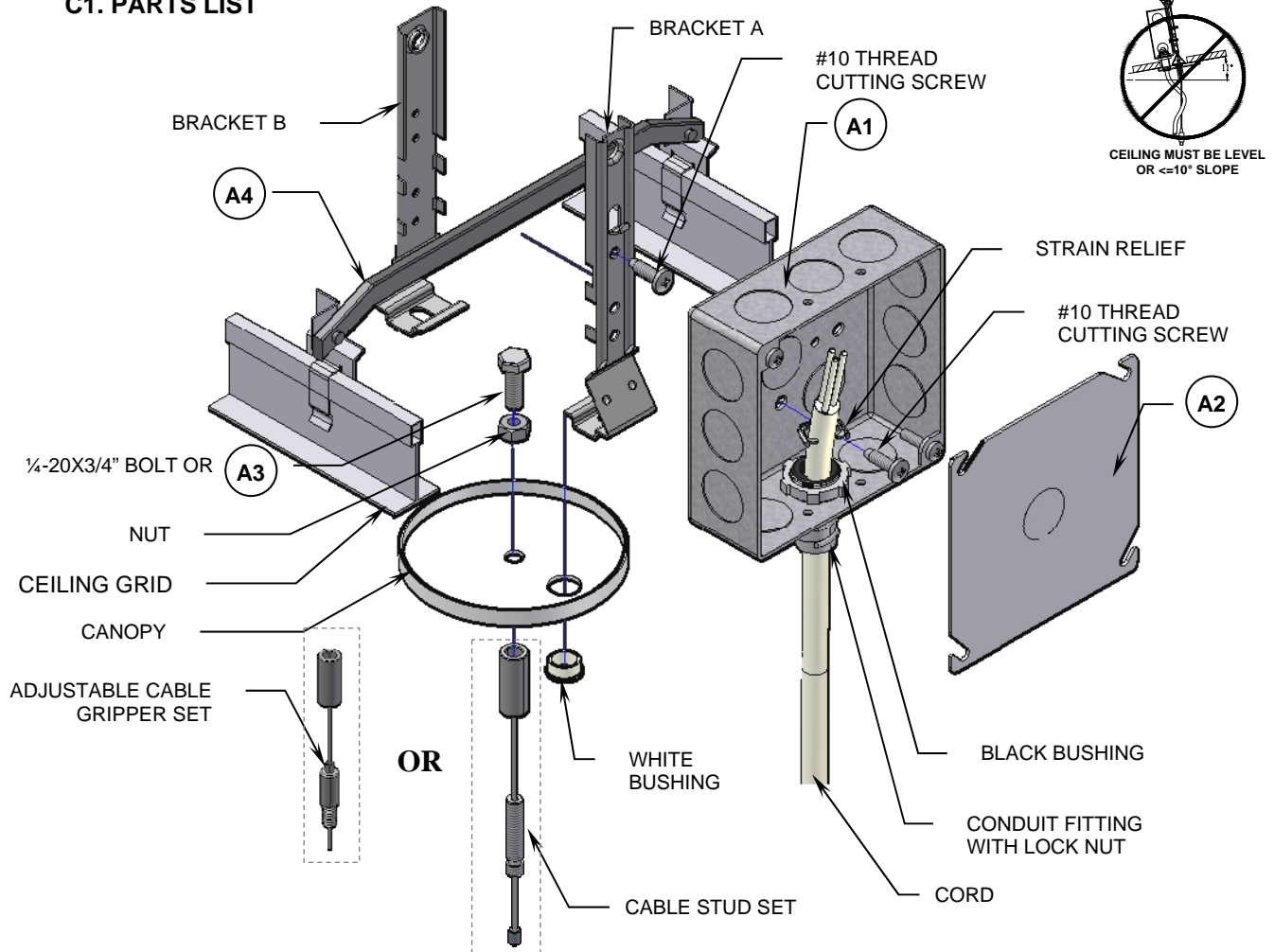
TEL: 510-845-2760 FAX: 510-845-2776

Rev. D 11/11 ECO 3751

WEB SITE: WWW.PEERLESS-LIGHTING.COM

C) Off-Grid Installation

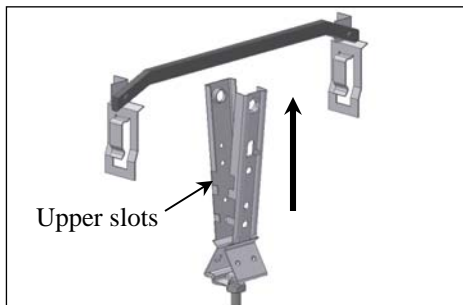
C1. PARTS LIST



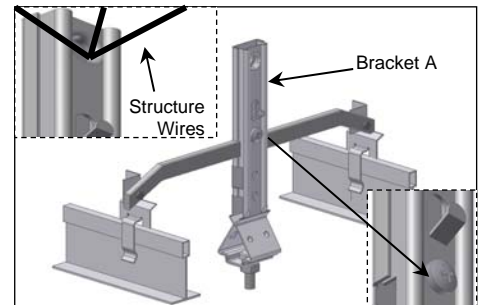
C2. OFF-GRID INSTALLATION STEPS



1. Insert bolt into Bracket A. Hook Bracket B onto Bracket A. Secure with nut (**DO NOT TIGHTEN**).



2. Slide hanger onto Caddy Bar and fit Caddy Bar into upper slots in bracket.



3. Adjust brackets to proper location then screw the brackets from A to B together. Secure the brackets to the structure above.

PIN000100

**P E E R L E S S**

**UNIVERSAL MOUNTING**

**FEED LOCATION**

**INSTALLATION INSTRUCTION**

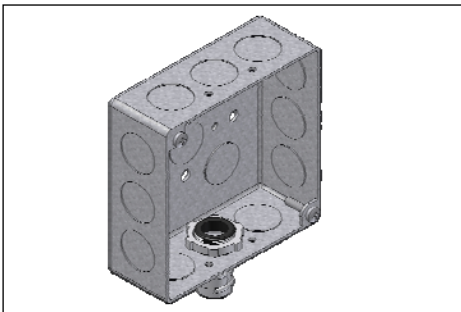
Rev. D 11/11 ECO 3751

**PEERLESS LIGHTING**

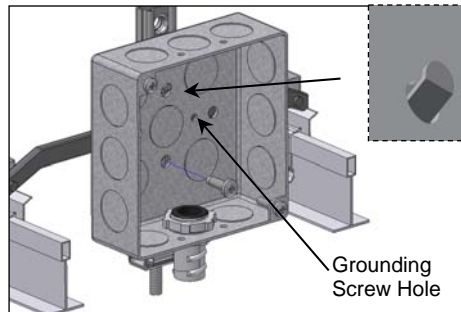
2246 5TH STREET, BERKELEY CA.94710

TEL: 510-845-2760 FAX: 510-845-2776

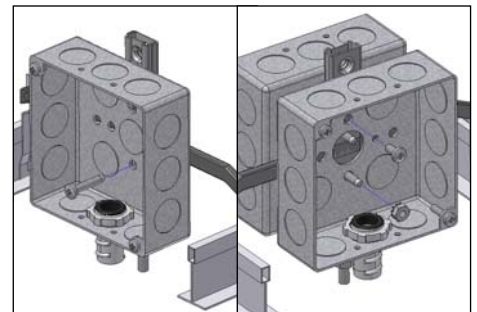
WEB SITE: WWW.PEERLESS-LIGHTING.COM



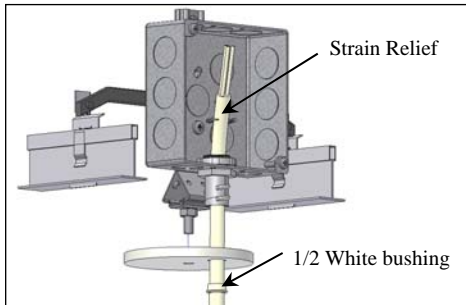
4. Attach black bushing and conduit fitting to J-box.



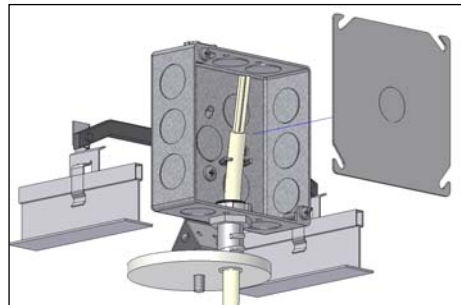
5. Hang J-Box on bracket A tab. For single feed, screw J-Box to brackets.



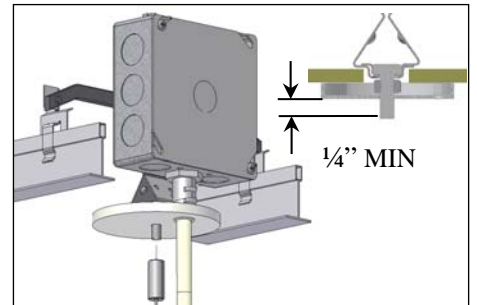
5A. For dual feeds, hang first J-box with long screw on bracket A. Take center knock-out on the second J-box. Screw second J-box to bracket B. Then add nut to connect two boxes together.



6. Insert feed cord into J-Box through bushing and canopy. Attach strain relief on the cord.



7. Connect wires and install the cover to J-Box with screws.



8. Place canopy flush with ceiling tile. Thread cable retainer onto bolt no less than 1/4".

**D) Bolt and Nut Selection**

TYPICAL GRID & TILE TYPE	ON-GRID			OFF-GRID		
	1/4-20X3/4" HEX BOLT B≤5/16	1/4-20 HEX BOLT B>5/16	1/4-20 HEX NUT	1/4-20X3/4" HEX BOLT A≤1.5" & B≤5/16"	1/4-20 HEX BOLT A>1.5" OR B>5/16	1/4-20 HEX NUT
<p>TYPE 1</p>	YES		NO	YES	Use proper bolt length to meet min. 1/4" engagement	YES
<p>TYPE 2</p>	YES	Use proper bolt length to meet min. 1/4" engagement	YES	YES	Use proper bolt length to meet min. 1/4" engagement	YES
<p>TYPE 3</p>	YES		NO	YES	Use proper bolt length to meet min. 1/4" engagement	YES