

General Installation Instructions

▲ WARNING

To reduce the risk of death, injury or property damage from fire, electric shock, cuts, abrasions, falling parts and other hazards:

- Service of the equipment must be performed by qualified service personnel.
- Installation and maintenance must be performed by a person familiar with the construction and operation of this product and any hazards involved. All applicable codes and ordinances must be followed.
- Read this document before installing, servicing or maintaining this equipment or installing a lamp. These instructions do not cover all installation, service and maintenance situations. If your situation is not covered, or, if you do not understand these instructions or additional information is required, contact Peerless Lighting or your local Peerless Lighting distributor.
- Read and follow all warnings and instructions provided by the lamp manufacturer.

▲ WARNING

Before installing, servicing or maintaining this equipment, follow these general precautions. To reduce the risk of electrocution:

- Make sure the equipment is properly grounded.
- Always de-energize the circuit and/or equipment before connecting to, disconnecting from or servicing the equipment.

To prevent luminaire row from over-current:

- By adding the input current of each luminaire section marked on the luminaire, the total current per power feed must not exceed the maximum line wire amperage marked on the luminaire and the power feed cord/wire amperage rating whichever is the least.

To reduce the risk of fire:

- Keep material away that can burn from hot lamp.
- Make sure lamps are correctly installed.
- Use supply conductors with a minimum installation temperature rating as specified on equipment.

To reduce the risk of personal injury from cuts, abrasions or falling parts:

- Wear gloves to prevent cuts or abrasions from sharp edges when removing from carton, handling and maintaining this equipment.
- Do not use abrasive materials, glass cleaners or other solvents on reflector or lens. These substances may damage equipment and cause parts to eventually break and fall.
- Do not install a damaged fixture.

▲ CAUTION

Observe lamp manufacturer's recommendations and restrictions on lamp operation including but not limited to ballast type, burning position, replacement and cycling. Use only lamps that comply with applicable ANSI standards.

NOTICE: If lamp is marked (Hg) it contains mercury. Follow disposal laws. See www.lamprecycle.org

Peerless Lighting, a division of Acuity Brands Lighting, Inc., assumes no responsibility for claims arising out of improper or careless installation or handling of this product.

SAVE THESE INSTALLATION INSTRUCTIONS

Part Number: PIN004100 Revision: E Effective Date: 07/2012 ECO3665

UNIVERSAL MOUNTING KIT F1A4
FEED LOCATION INSTALLATION
INSTRUCTION
 Rev. C 11/11 ECO 3751

PEERLESS LIGHTING
 2246 5TH STREET, BERKELEY CA.94710
 TEL: 510-845-2760 FAX: 510-845-2776
 WEB SITE: WWW.PEERLESS-LIGHTING.COM

These installation instructions are for installing the **F1A** Mounting Kit at FEED Location.

CAUTION: IT IS CRITICAL THAT SUPPORT LOCATIONS ARE LOCATED ACCURATELY. WE RECOMMEND THAT A LASER DEVICE BE USED TO LINE UP THE SUPPORT LOCATIONS ON FIXTURES HAVING MORE THAN ONE SECTION. IF NOT ALIGNED PROPERLY, A NOTICEABLE "BEND" MAY BE APPARENT WHEN VIEWED FROM THE END OF THE RUN.

WARNING: RISK OF FIRE AND ELECTRICAL SHOCK. THIS PRODUCT TO BE INSTALLED ONLY BY A QUALIFIED ELECTRICIAN.

NOTE: THIS MOUNTING ASSEMBLY IS UL AND C-UL LISTED WITH THE LUMINAIRE (UL FILE 48952).

A) Parts Not Provided by PEERLESS	page 1
B) On-Grid Installation	pages 1-2
C) Off-Grid Installation	page 3
D) Bolt and Nut Selection	page 4

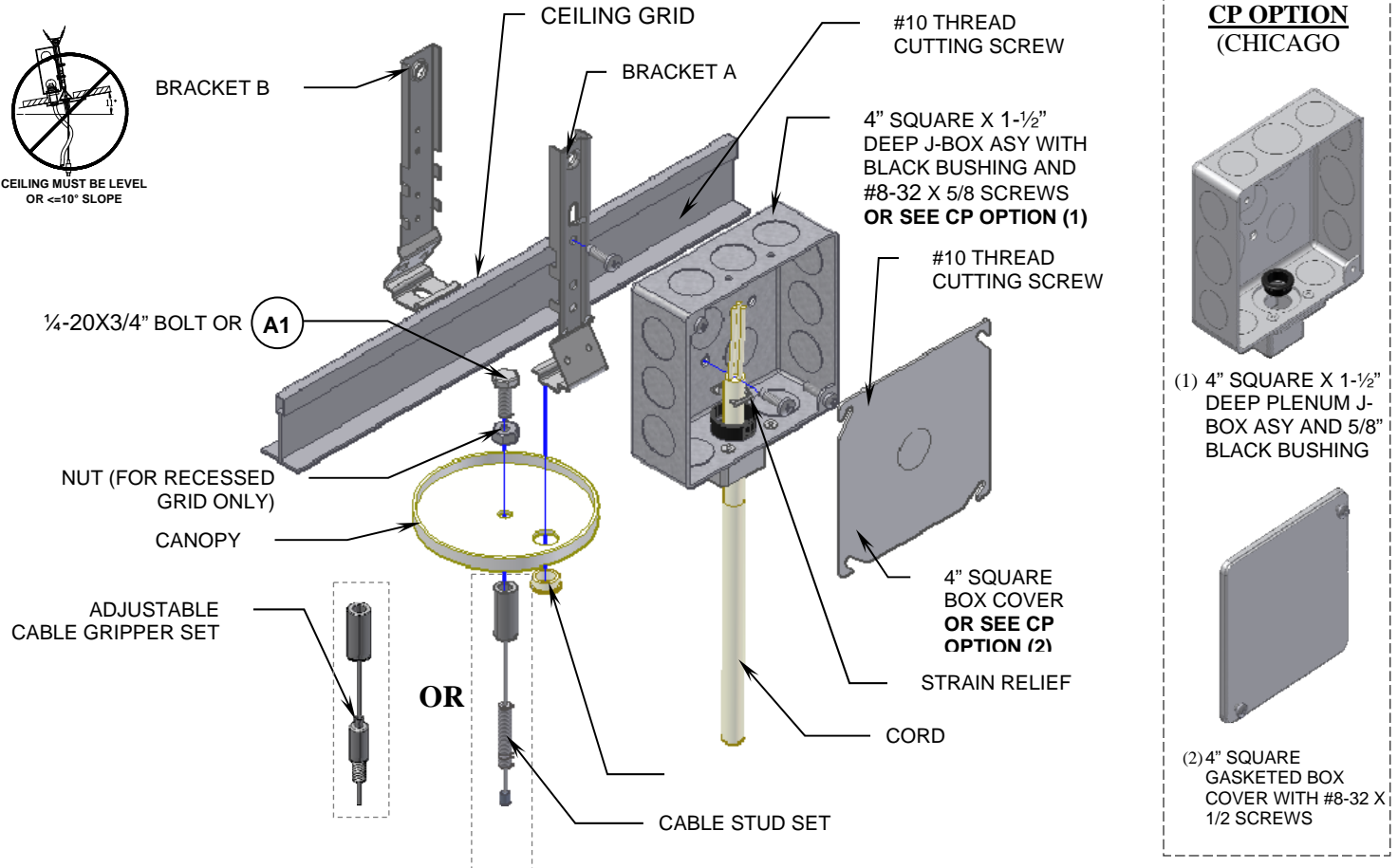
A) Parts Not Provided by PEERLESS

Depending on ceiling mounting type, contractor must obtain some or all of the following parts to complete installation (see parts list):

- (A1) ¼-20 steel zinc plated hex head bolt (see Section D for bolt length).
- (A2) Caddy Bar (CADDY #512A or equal) for Off-Grid Mounting (see page 3).

B) On-Grid Installation

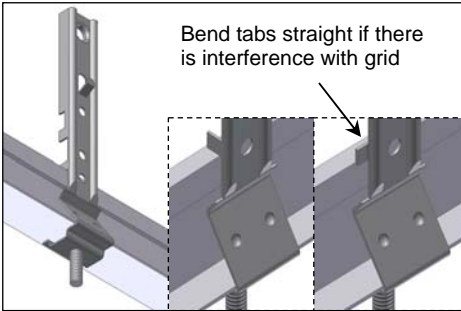
B1. PARTS LIST



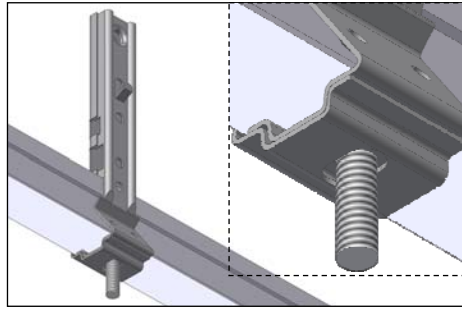
UNIVERSAL MOUNTING KIT F1A4
FEED LOCATION INSTALLATION
INSTRUCTION
 Rev. C 11/11 ECO 3751

PEERLESS LIGHTING
 2246 5TH STREET, BERKELEY CA.94710
 TEL: 510-845-2760 FAX: 510-845-2776
 WEB SITE: WWW.PEERLESS-LIGHTING.COM

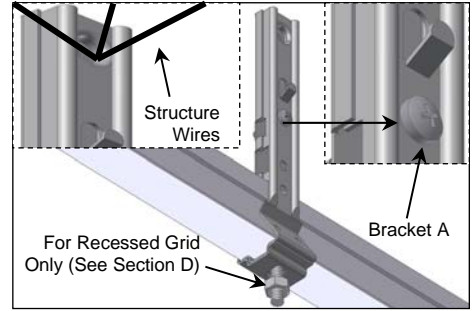
B2. ON-GRID INSTALLATION STEPS:



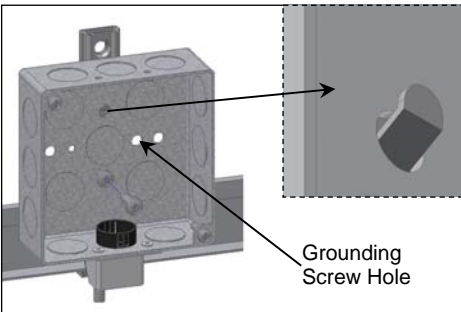
1. Insert bolt into bottom hole of Bracket A, then hook Bracket A onto grid.



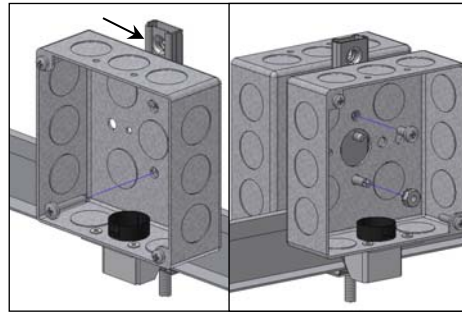
2. Hook Bracket B onto Bracket A



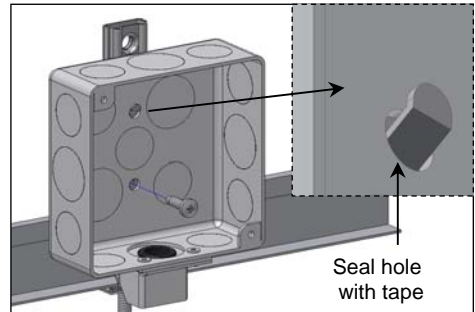
3. Adjust brackets to proper location then screw the brackets from A to B together. Secure the brackets to the structure above.



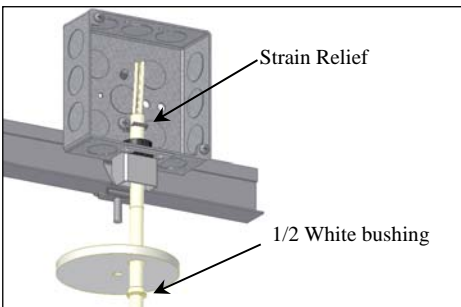
4. Hang J-Box assembly on bracket tab. For single feed, screw J-Box to brackets.



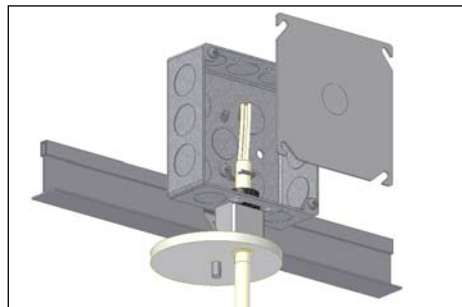
4A. **For dual feeds**, hang first J-box with long screw on the bracket A. Take center knock-out on the second J-box. Screw second J-box to bracket B. Then add nut to connect two boxes together.



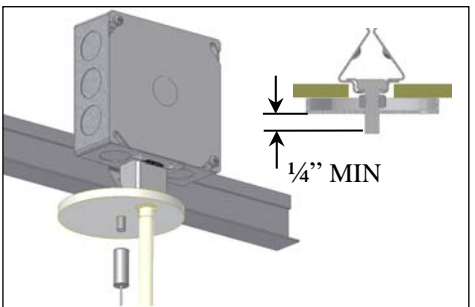
4B. **For CP J-box**. Hang J-box assembly on bracket tab. Screw J-box to brackets. Seal the hole with aluminum tape.



5. Insert feed cord into J-Box through bushings and canopy. Attach strain relief on the cord.



7. Connect wires and install the cover to J-Box with screws.

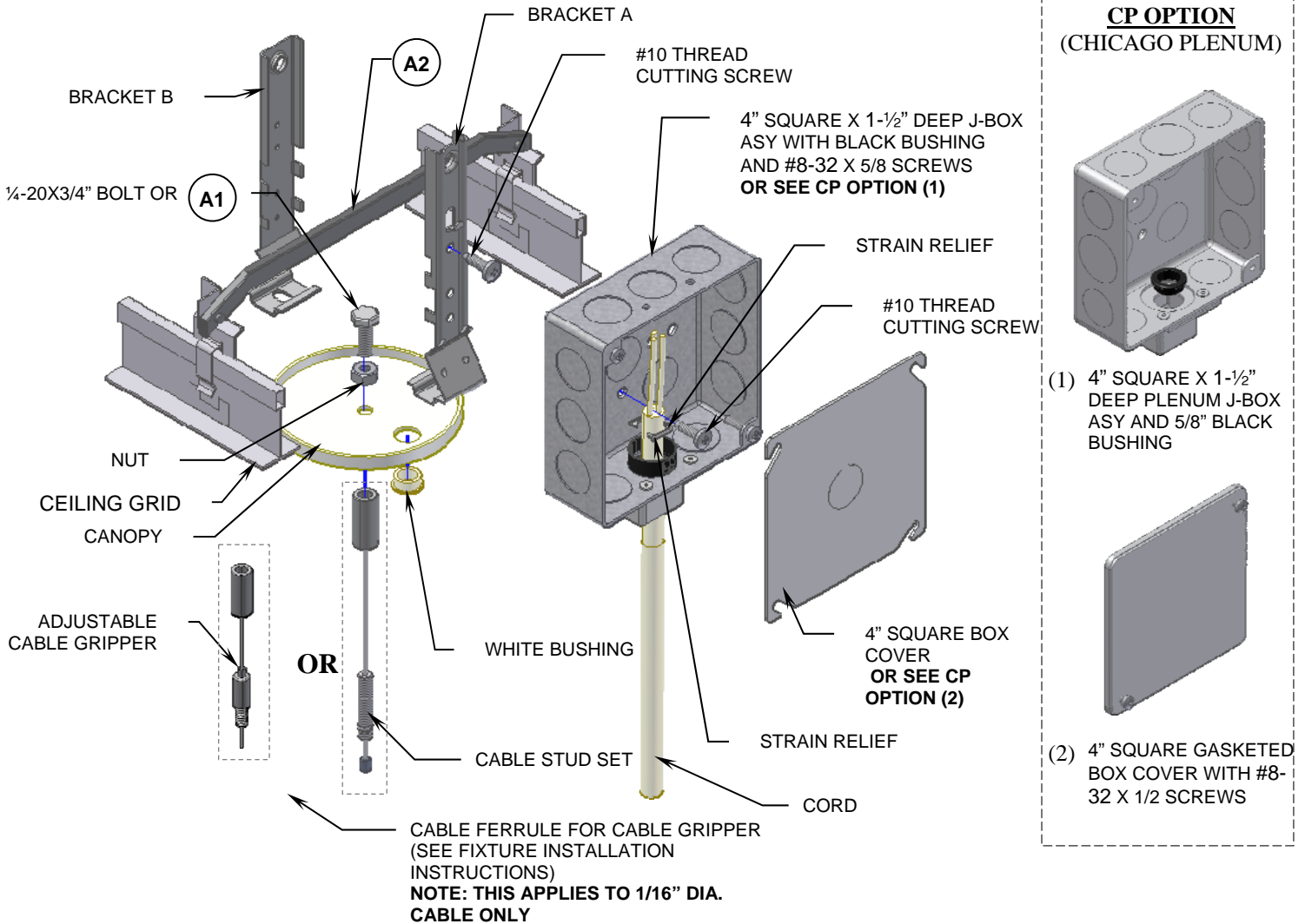


6. Place canopy flush with ceiling tile. Thread cable retainer onto bolt no less than 1/4".

UNIVERSAL MOUNTING KIT F1A4
FEED LOCATION INSTALLATION
INSTRUCTION
 Rev. C 11/11 ECO 3751

PEERLESS LIGHTING
 2246 5TH STREET, BERKELEY CA.94710
 TEL: 510-845-2760 FAX: 510-845-2776
 WEB SITE: WWW.PEERLESS-LIGHTING.COM

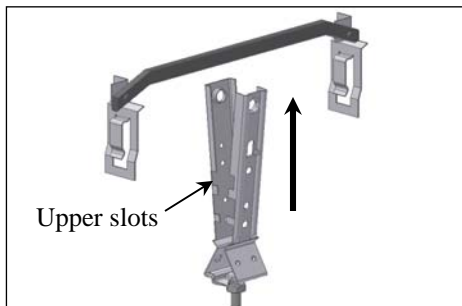
C) Off-Grid Installation
C1. PARTS LIST



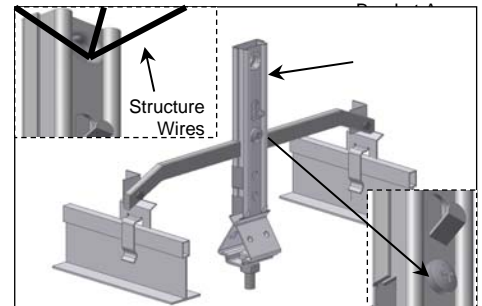
C2. OFF-GRID INSTALLATION STEPS



1. Insert bolt into Bracket A. Hook Bracket B onto Bracket A. Secure with nut (**DO NOT TIGHTEN**).



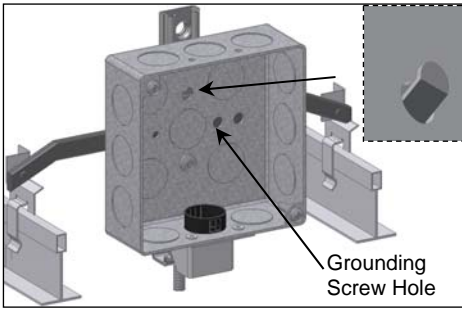
2. Slide hanger onto Caddy Bar and fit Caddy Bar into upper slots in bracket.



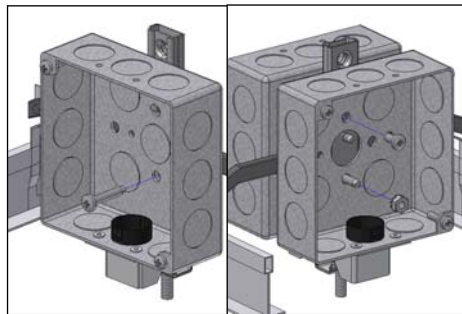
3. Adjust brackets to proper location then screw the brackets from A to B together. Secure the brackets to the structure above.

UNIVERSAL MOUNTING KIT F1A4
FEED LOCATION INSTALLATION
INSTRUCTION
 Rev. C 11/11 ECO 3751

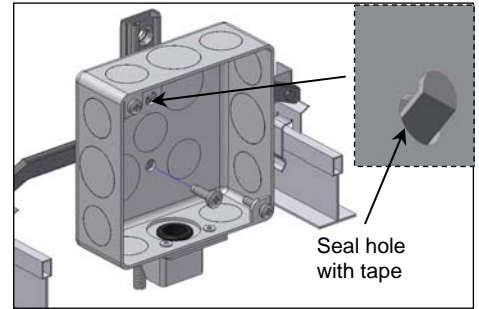
PEERLESS LIGHTING
 2246 5TH STREET, BERKELEY CA. 94710
 TEL: 510-845-2760 FAX: 510-845-2776
 WEB SITE: WWW.PEERLESS-LIGHTING.COM



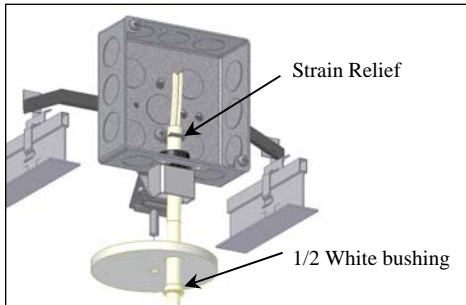
4. Hang J-Box on bracket A tab. For single feed, screw J-Box to bracket A.



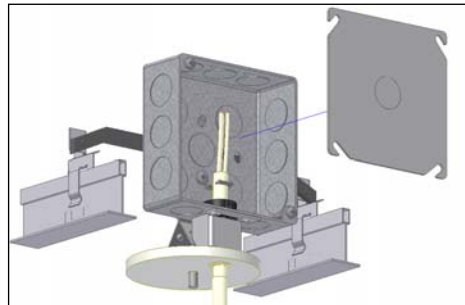
4A. For dual feeds, hang first J-box with long screw on bracket A. Take center knock-out on the second J-box. Screw second J-box to bracket B. Then add nut to connect two boxes together.



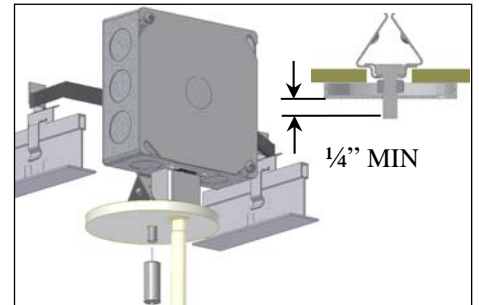
4B. For CP J-box. Hang J-box assembly on bracket tab. Screw J-box to brackets. Seal the hole with aluminum tape.



7. Insert feed cord into J-Box through bushing and canopy. Attach strain relief on the cord.



6. Connect wires and install the cover to J-Box with screws.



5. Place canopy flush with ceiling tile. Thread cable retainer onto bolt no less than 1/4".

D) Bolt and Nut Selection

TYPICAL GRID & TILE TYPE	ON-GRID			OFF-GRID		
	1/4-20X3/4" HEX BOLT B ≤ 5/16	1/4-20 HEX BOLT B > 5/16	1/4-20 HEX NUT	1/4-20X3/4" HEX BOLT A ≤ 1.5 & B ≤ 5/16"	1/4-20 HEX BOLT A > 1.5" OR B > 5/16	1/4-20 HEX NUT
TYPE 1 	YES		NO	YES	Use proper bolt length to meet min. 1/4" engagement	YES
TYPE 2 	YES	Use proper bolt length to meet min. 1/4" engagement	YES	YES	Use proper bolt length to meet min. 1/4" engagement	YES
TYPE 3 	YES		NO	YES	Use proper bolt length to meet min. 1/4" engagement	YES