

These installation instructions are for installing the **F3 Mounting Kit**.

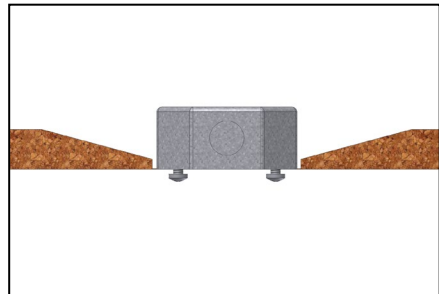
CAUTION: IT IS CRITICAL THAT SUPPORT LOCATIONS ARE LOCATED ACCURATELY. WE RECOMMEND THAT A LASER DEVICE BE USED TO LINE UP THE SUPPORT LOCATIONS ON FIXTURES HAVING MORE THAN ONE SECTION. IF NOT ALIGNED PROPERLY, A NOTICEABLE “BEND” MAY BE APPARENT WHEN VIEWED FROM THE END OF THE RUN.

WARNING: RISK OF FIRE AND ELECTRICAL SHOCK. THIS PRODUCT TO BE INSTALLED ONLY BY A QUALIFIED ELECTRICIAN.

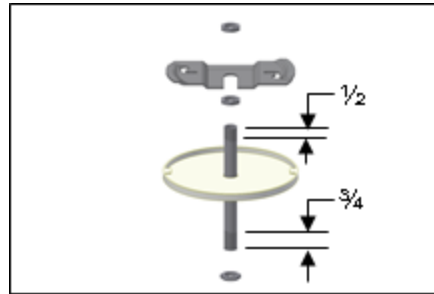
NOTE: THIS MOUNTING ASSEMBLY IS UL AND C-UL LISTED WITH THE LUMINAIRE (UL FILE E61711).

For this ceiling mounting type, contractor needs to provide some or all of the following parts to complete installation.

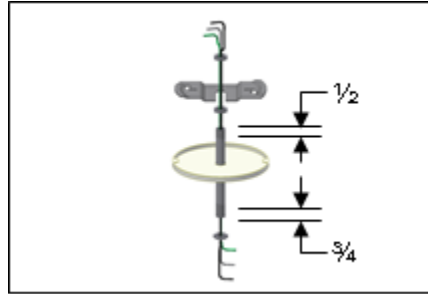
*) 4” Octagonal X 1 ½” deep J-Box with ½” K.O.



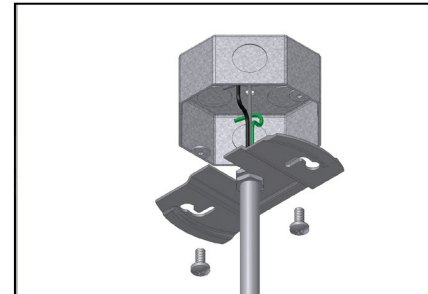
1. Secure the 4” octagonal J-Box so that it is flush with ceiling level.



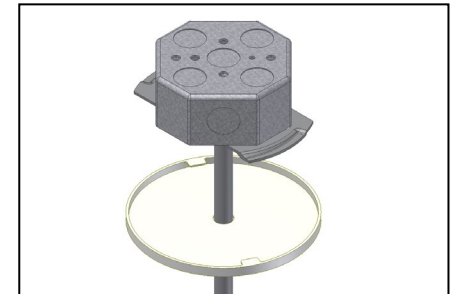
2a. Non-feed location – Securely fasten the mounting strap onto the stem at the ½” end. Place the stem through the canopy. Thread one nut on the other end of the stem.



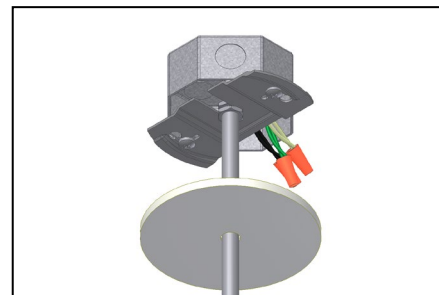
2b. At feed location – Securely fasten the mounting strap onto the stem at the ½” end. Place the stem through the canopy. Thread one nut on the other end of the stem with power wires through stem. See Page 2 for fixture hanger installation.



3. Raise stem set with the fixture in position. Install the mounting strap to the J-Box with two screws. See page 3 & 4 of this installation if using Heavy-Duty Brace.



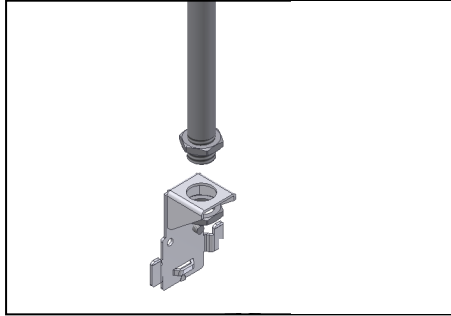
4a. Non-feed location - Raise the canopy and lock into the mounting strap.



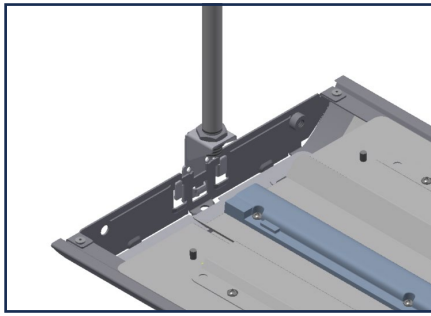
4b. At feed location – Splice the fixture power wires and building wires together in the J-Box. Raise the canopy up.



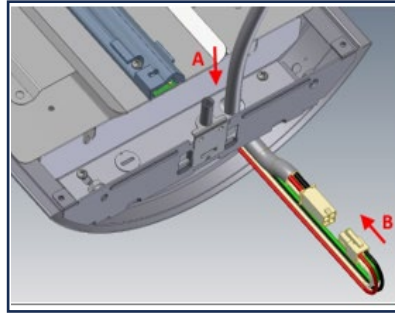
5. Twist the canopy clockwise onto the mounting strap to complete the installation.



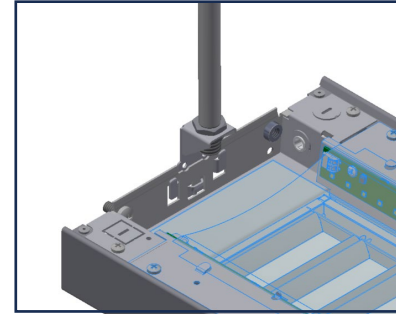
6. Insert the stem at 3/4" end onto stem hanger and lock with bottom and top nuts.



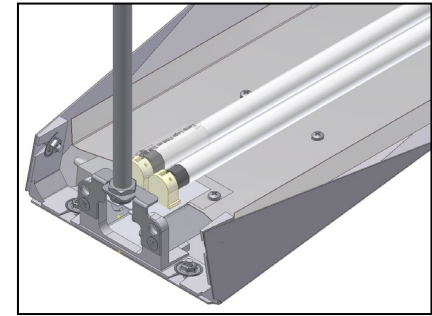
7a. Non-feed location. Hook the hanger to the fixture end bracket. Secure the hanger with #8 flat head screw.



7b. At feed location – Insert the power wires through the knock-out, bushing and sleeve and up to the stem. Secure the hanger with #8 flat head screw. Calculate the actual length of the wires required to reach the J-Box, allowing 6" to 8" for splicing. Cut and strip the wires if necessary.



7c. A different fixture with the same hanger.



OPTION: INSTALL REINFORCE HEAVY DUTY BRACE

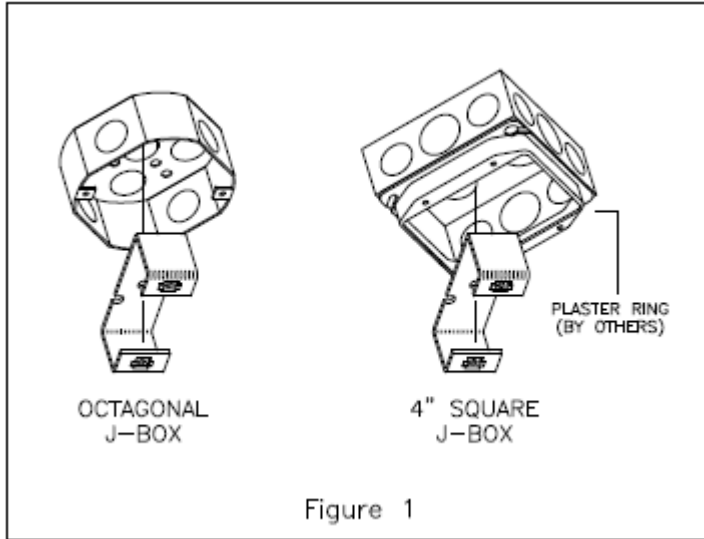


Figure 1

1. Insert the Heavy Duty Brace diagonally into the J-Box and align the holes to the bracket with the existing holes in the J-Box.

Note: When using a 4" Square J-Box, a two device plaster ring must be used to allow insertion of the bracket after the box has been installed. See Figure 1.

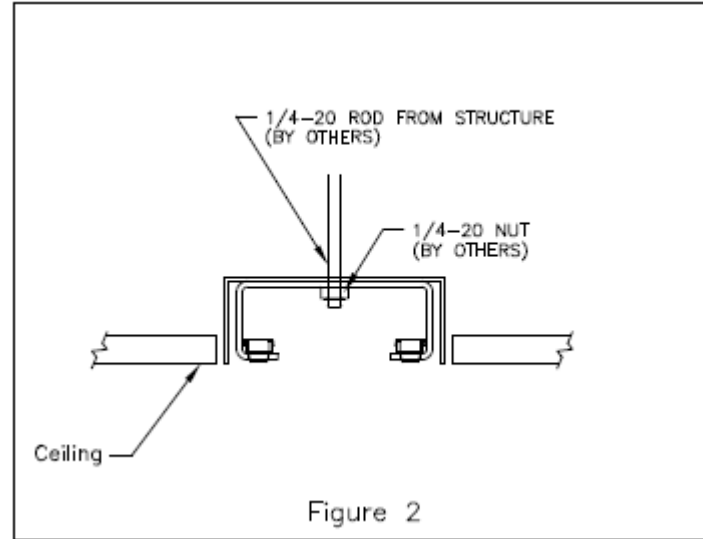


Figure 2

2. Determine the appropriate support method for ceiling construction (sample method is shown on Figure 2 above). Attach the appropriate fastening devices through the holes of the bracket and box and secure the assembly to support structure.

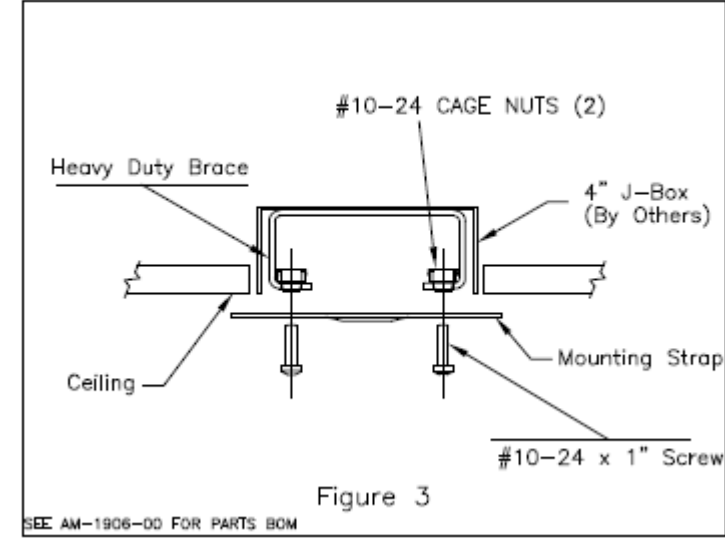
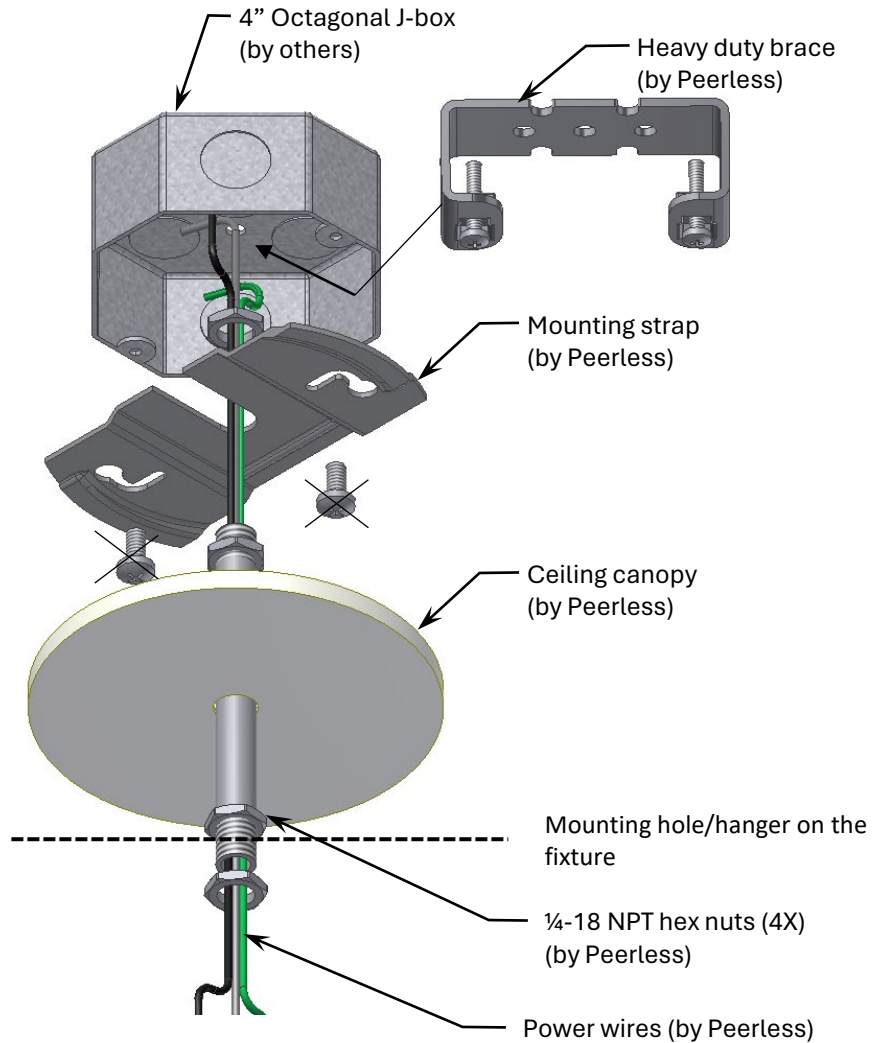


Figure 3

SEE AM-1906-00 FOR PARTS BOM

3. Complete the installation accordingly with the fixture installation instructions, attaching the fixture mounting strap to the Heavy Duty Brace with the #10-24 machine screws provided. See Figure 3 above.

MOUNTING DETAIL WITH HEAVY DUTY BRACE



Note:
The heavy-duty brace must be used at the mounting point where the fixture load weight exceeds the 50 LBS. maximum weight allowance of a standard junction box.