

These installation instructions are for installing the **F2 Mounting Kit** at **FEED Location**.

CAUTION: IT IS CRITICAL THAT SUPPORT LOCATIONS ARE LOCATED ACCURATELY. WE RECOMMEND THAT A LASER DEVICE BE USED TO LINE UP THE SUPPORT LOCATIONS ON FIXTURES HAVING MORE THAN ONE SECTION. IF NOT ALIGNED PROPERLY, A NOTICEABLE “BEND” MAY BE APPARENT WHEN VIEWED FROM THE END OF THE RUN.

WARNING: RISK OF FIRE AND ELECTRICAL SHOCK. THIS PRODUCT TO BE INSTALLED ONLY BY A QUALIFIED ELECTRICIAN.

NOTE: THIS MOUNTING ASSEMBLY IS UL AND C-UL LISTED WITH THE LUMINAIRE (UL FILE E61711).

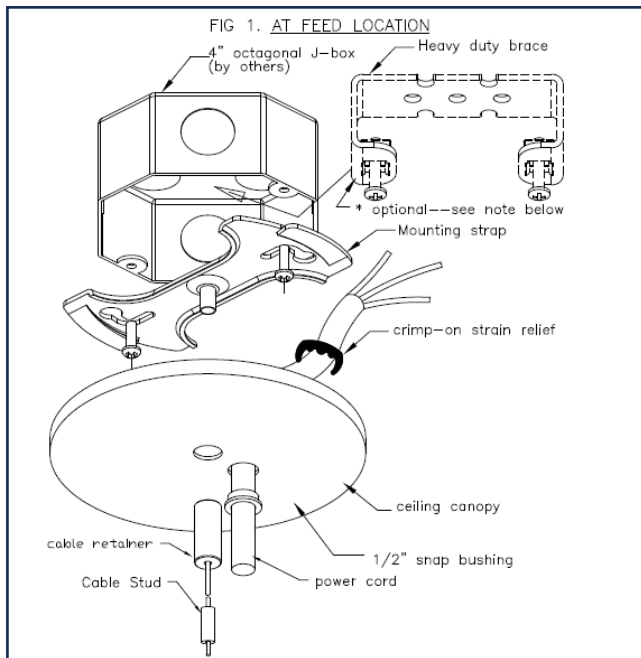
For this ceiling mounting type, contractor needs to provide some or all of the following parts to complete installation (see fig. 1 & 2).

*) 4” Octagonal X 1 ½” deep J-Box with ½” K.O. on middle of side.

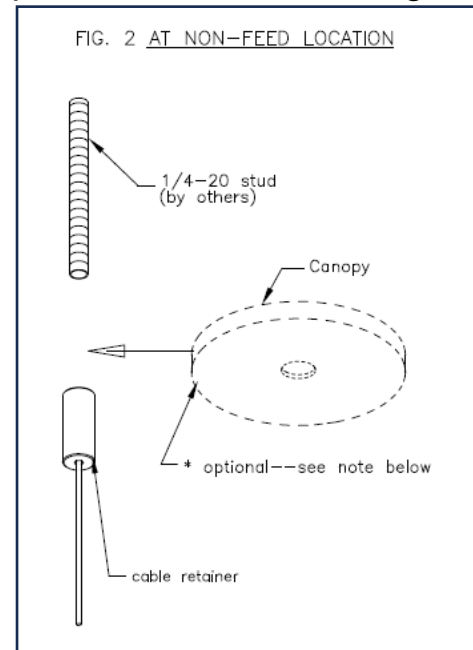
*) ¼-20 stud.

Note: Cable retainer should engage to ¼-20 stud no less than ¼”.

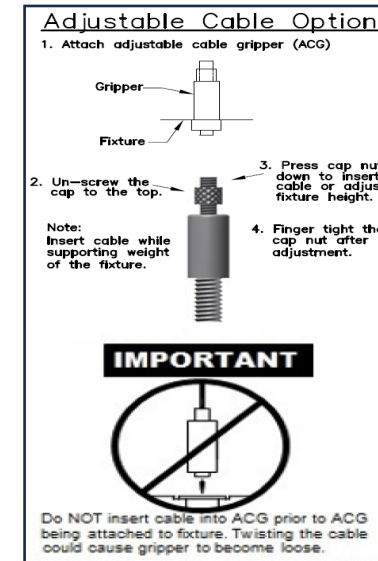
Ceiling must be level or <= 10° slope. Use SLP and OJB option for > 10° - see Page 4 of 4.



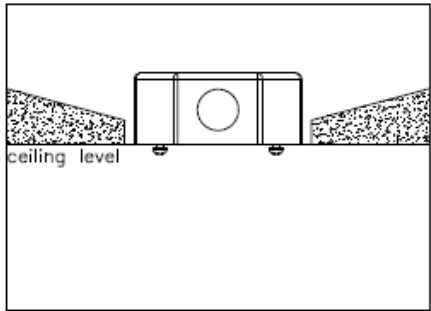
***Note:**
This option is used at a mounting point where the fixture weight exceeds the 50 lbs. maximum weight allowance of a standard junction box. See page 3 for installation detail prior to installation of the junction box.



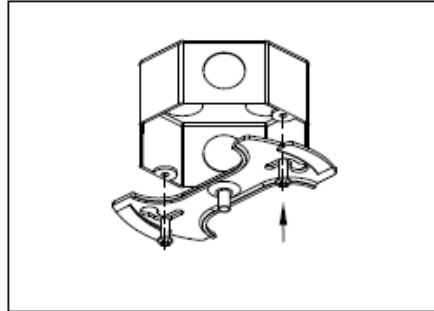
***Note:**
If you used 2” canopy or ordered 3-1/2” or 5” canopy for a non-feed kit, please note that the suspension will be ¼” longer than the suspension at power feed location. To level the fixture, you can adjust the fixed cable assembly threaded tubing on the fixture (+/- ¼” adjustment) if the ceiling is well leveled.



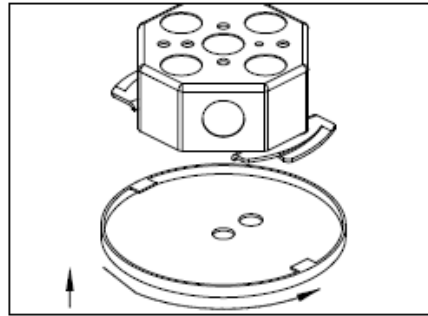
AT FEED LOCATION:



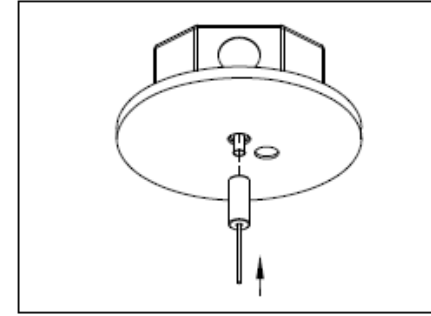
1. Secure the 4" octagonal junction box so that it is flush with the ceiling level.



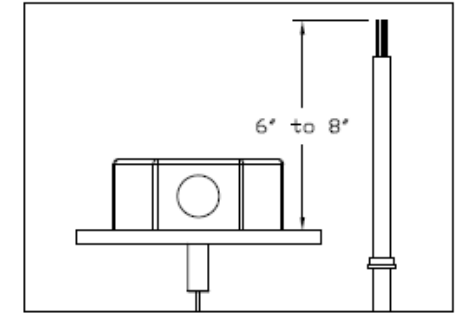
2. Attach the mounting strap the junction box and securely fasten.



3. Temporarily install the canopy to the mounting strap

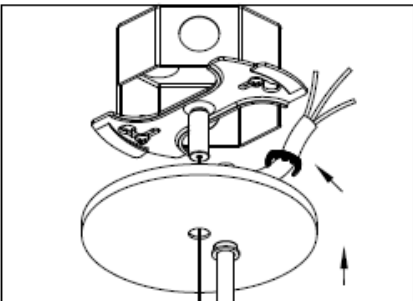


4. Screw the cable retainer to the stud from the mounting strap.

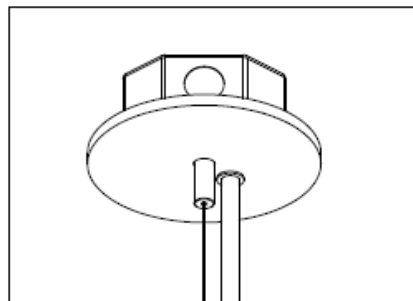


5. Calculate the actual length of the cord required to reach the junction box, allowing 6" to 8" for splicing, Cut and strip the cord if necessary.

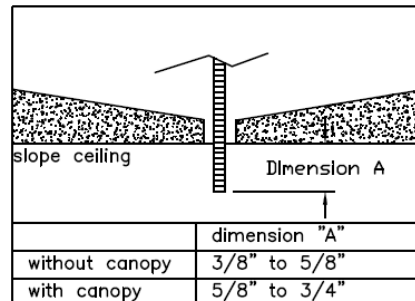
AT NON-FEED LOCATION:



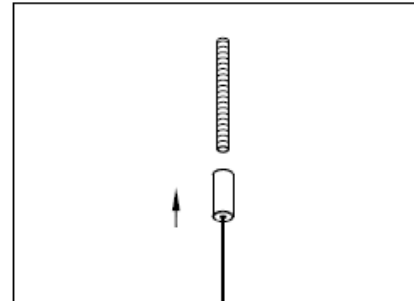
6. Remove the canopy. Install the bushing. Insert the cord end through the canopy. Then install the insulated crimp strain relief (hog ring) above the canopy. Bushing can be omitted if the cord is too large to fit through.



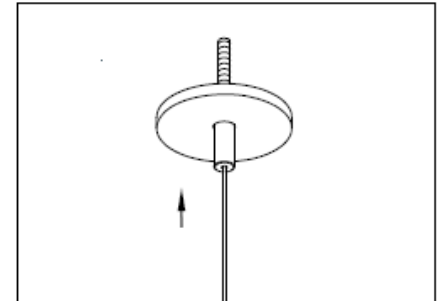
7. Install canopy to mounting strap. This completes the installation.



1. Secure the 1/4-20 stud at dimension shown above.

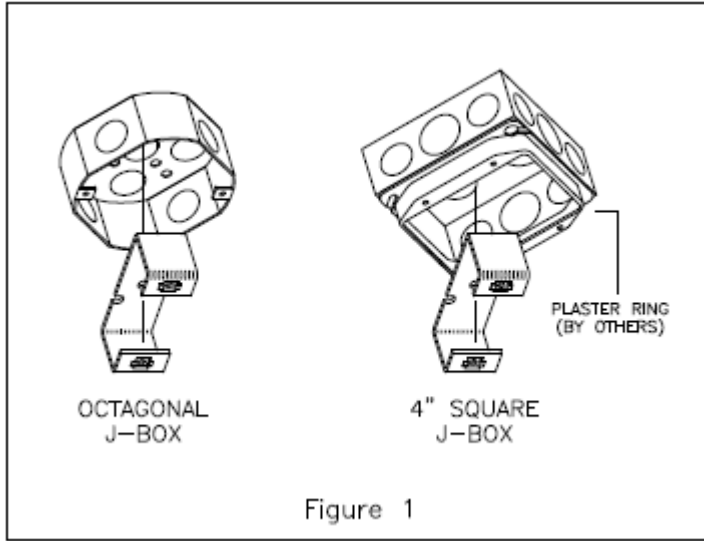


2. If canopy is not used, securely fasten the cable retainer to complete installation.

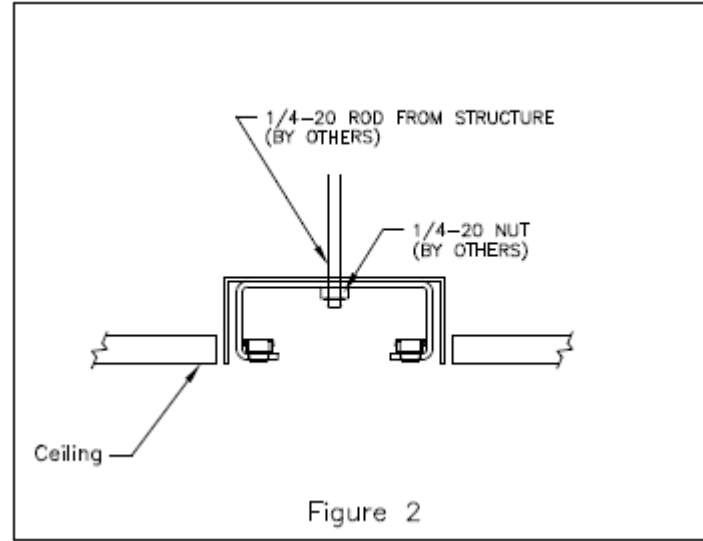


2A. If canopy is used, insert the canopy and securely fasten the cable retainer to complete installation.

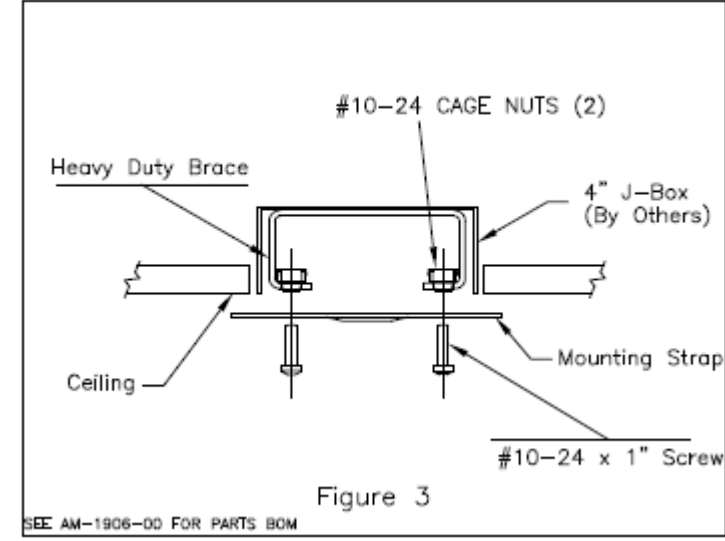
OPTION: INSTALL REINFORCE HEAVY DUTY BRACE



1. Insert the Heavy Duty Brace diagonally into the J-Box and align the holes to the bracket with the existing holes in the J-Box.
 Note: When using a 4" Square J-Box, a two devices plaster ring must be used to allow insertion of the bracket after the box has been installed. See Figure 1.

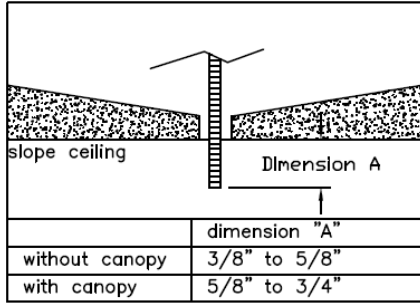


2. Determine the appropriate support method for ceiling construction (sample method is shown on Figure 2 above). Attach the appropriate fastening devices through the holes of the bracket and box and secure the assembly to support structure.



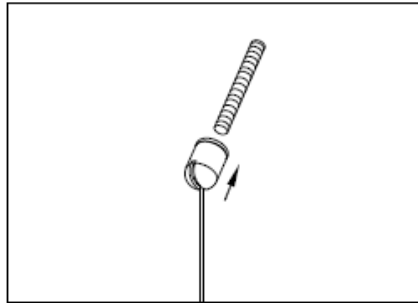
3. Complete the installation accordingly with the fixture installation instructions, attaching the fixture mounting strap to the Heavy Duty Brace with the #10-24 machine screws provided. See Figure 3 above.

SLP PLUS OJB OPTION: Slop ceiling and offset J-box



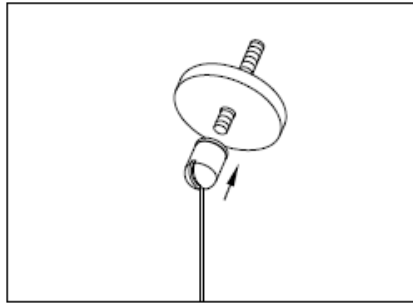
1. Secure the 1/4-20 stud at the dimension shown.

NOTE: Stud must be perpendicular to the slope ceiling.

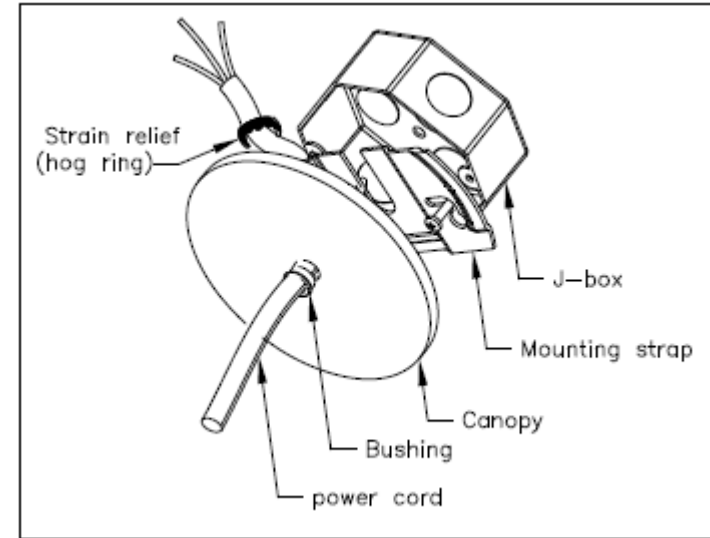


2. If canopy is not used, securely fasten the cable retainer to complete installation.

NOTE: Open slot on the cable retainer must be placed vertical to allow adjustable cable hand perpendicular to the floor.



2A. If canopy is used, insert the canopy and securely fasten the cable retainer to complete installation.



- Secure the 4" octagonal junction box so that is flush with the slop ceiling.
- Attach the mounting strap to the junction box and securely fasten.
- Calculate the actual length of the cord required to reach the junction box, allow 6" to 8" for splicing. Cut and strip the cord if necessary.
- Install the bushing. Insert the cord end through the canopy. Then install the insulated crimp strain relief (hog ring) above the canopy.
- Install canopy to mounting strap. This completes the installation.