

**UNIVERSAL MOUNTING KIT F1A4**  
**FEED LOCATION INSTALLATION**  
**INSTRUCTION**  
 Rev. C 11/11 ECO 3751

**PEERLESS LIGHTING**  
 2246 5TH STREET, BERKELEY CA.94710  
 TEL: 510-845-2760 FAX: 510-845-2776  
 WEB SITE: WWW.PEERLESS-LIGHTING.COM

These installation instructions are for installing the **F1A** Mounting Kit at FEED Location.

**CAUTION: IT IS CRITICAL THAT SUPPORT LOCATIONS ARE LOCATED ACCURATELY. WE RECOMMEND THAT A LASER DEVICE BE USED TO LINE UP THE SUPPORT LOCATIONS ON FIXTURES HAVING MORE THAN ONE SECTION. IF NOT ALIGNED PROPERLY, A NOTICEABLE "BEND" MAY BE APPARENT WHEN VIEWED FROM THE END OF THE RUN.**

**WARNING: RISK OF FIRE AND ELECTRICAL SHOCK. THIS PRODUCT TO BE INSTALLED ONLY BY A QUALIFIED ELECTRICIAN.**

**NOTE: THIS MOUNTING ASSEMBLY IS UL AND C-UL LISTED WITH THE LUMINAIRE (UL FILE 48952).**

A) Parts Not Provided by PEERLESS .....	page 1
B) On-Grid Installation .....	pages 1-2
C) Off-Grid Installation .....	page 3
D) Bolt and Nut Selection .....	page 4

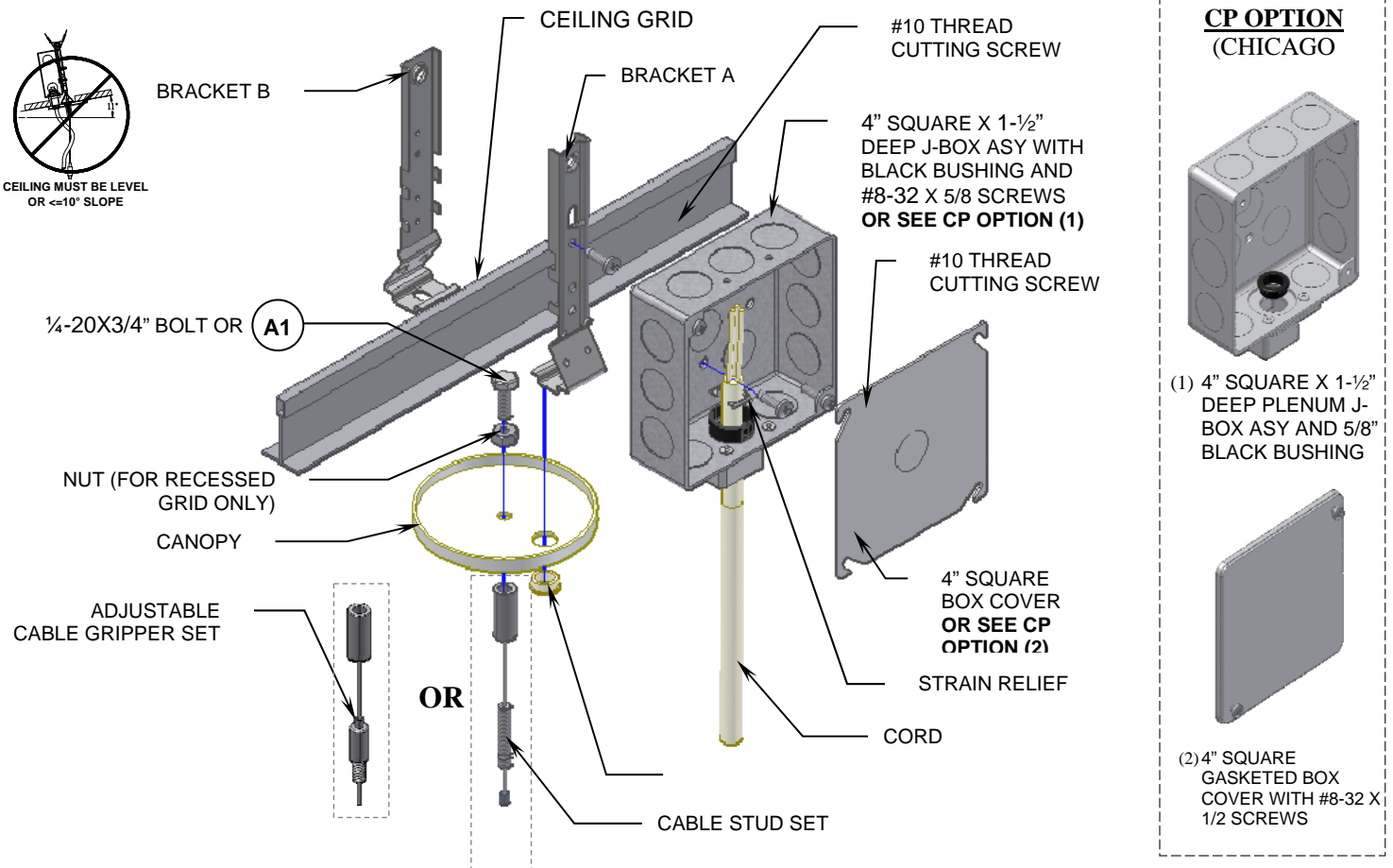
**A) Parts Not Provided by PEERLESS**

Depending on ceiling mounting type, contractor must obtain some or all of the following parts to complete installation (see parts list):

- (A1) 1/4-20 steel zinc plated hex head bolt (see Section D for bolt length).
- (A2) Caddy Bar (CADDY #512A or equal) for Off-Grid Mounting (see page 3).

**B) On-Grid Installation**

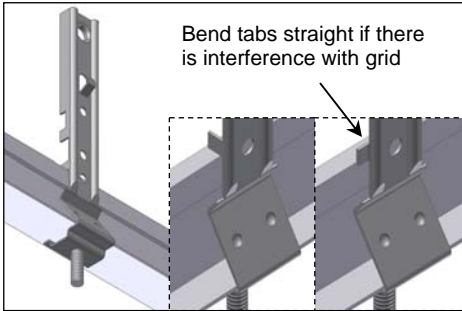
**B1. PARTS LIST**



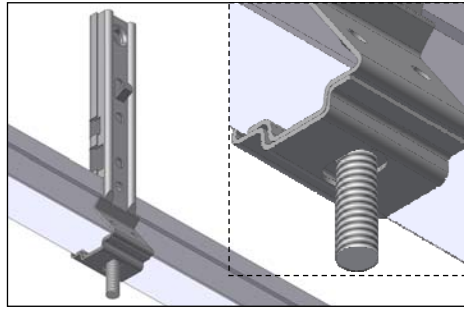
**UNIVERSAL MOUNTING KIT F1A4**  
**FEED LOCATION INSTALLATION**  
**INSTRUCTION**  
 Rev. C 11/11 ECO 3751

**PEERLESS LIGHTING**  
 2246 5TH STREET, BERKELEY CA.94710  
 TEL: 510-845-2760 FAX: 510-845-2776  
 WEB SITE: WWW.PEERLESS-LIGHTING.COM

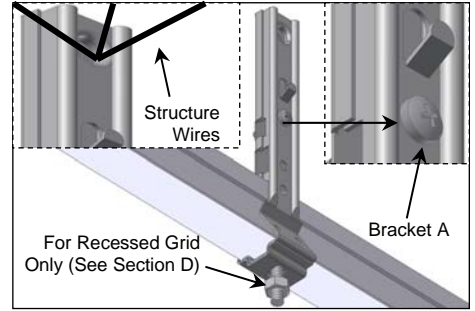
**B2. ON-GRID INSTALLATION STEPS:**



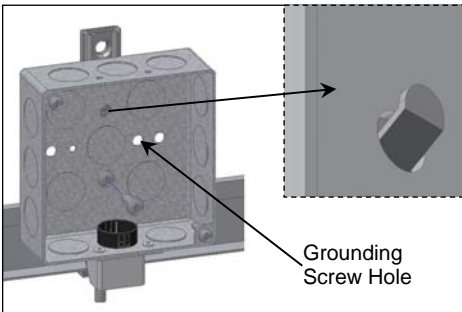
1. Insert bolt into bottom hole of Bracket A, then hook Bracket A onto grid.



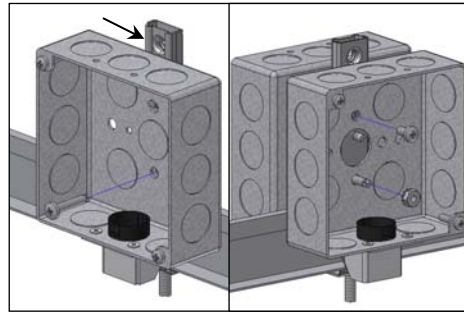
2. Hook Bracket B onto Bracket A



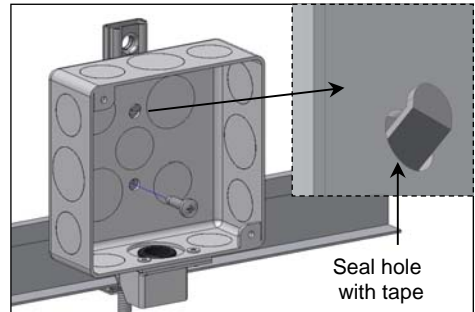
3. Adjust brackets to proper location then screw the brackets from A to B together. Secure the brackets to the structure above.



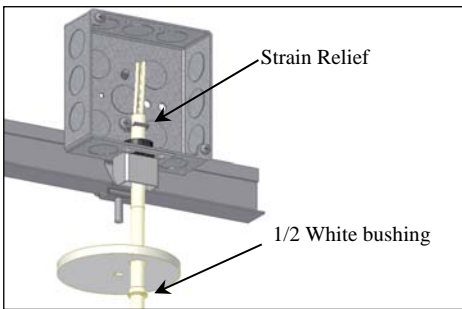
4. Hang J-Box assembly on bracket tab. For single feed, screw J-Box to brackets.



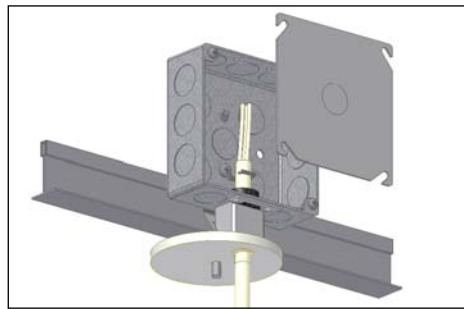
4A. **For dual feeds**, hang first J-box with long screw on the bracket A. Take center knock-out on the second J-box. Screw second J-box to bracket B. Then add nut to connect two boxes together.



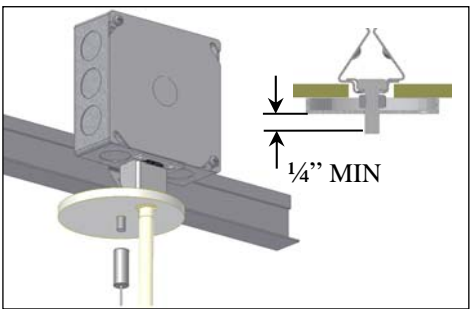
4B. **For CP J-box**. Hang J-box assembly on bracket tab. Screw J-box to brackets. Seal the hole with aluminum tape.



5. Insert feed cord into J-Box through bushings and canopy. Attach strain relief on the cord.



7. Connect wires and install the cover to J-Box with screws.

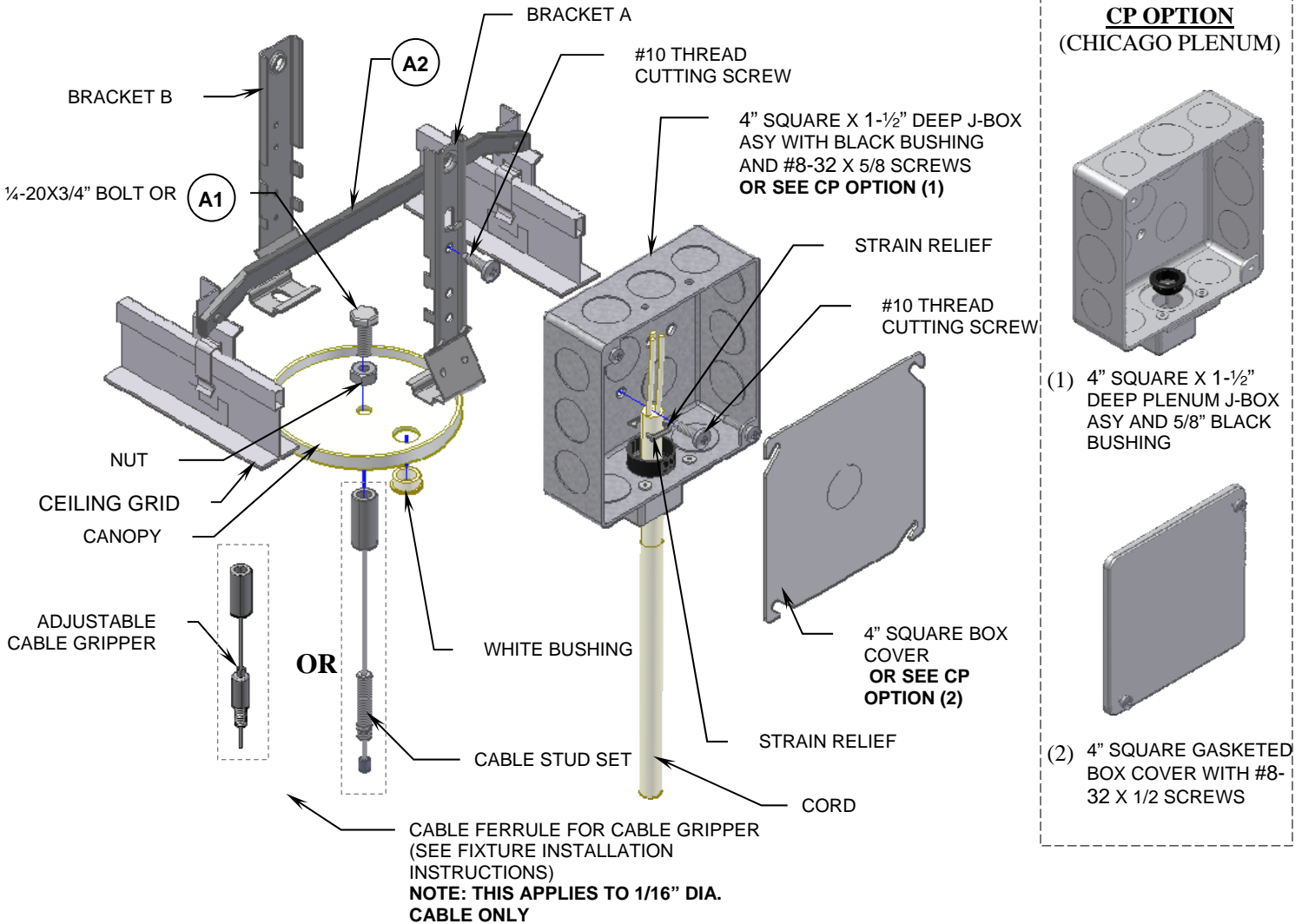


6. Place canopy flush with ceiling tile. Thread cable retainer onto bolt no less than 1/4".

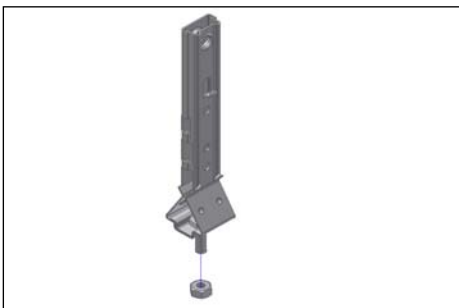
**UNIVERSAL MOUNTING KIT F1A4**  
**FEED LOCATION INSTALLATION**  
**INSTRUCTION**  
 Rev. C 11/11 ECO 3751

**PEERLESS LIGHTING**  
 2246 5TH STREET, BERKELEY CA.94710  
 TEL: 510-845-2760 FAX: 510-845-2776  
 WEB SITE: WWW.PEERLESS-LIGHTING.COM

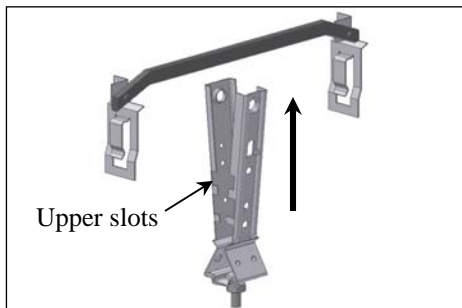
**C) Off-Grid Installation**  
**C1. PARTS LIST**



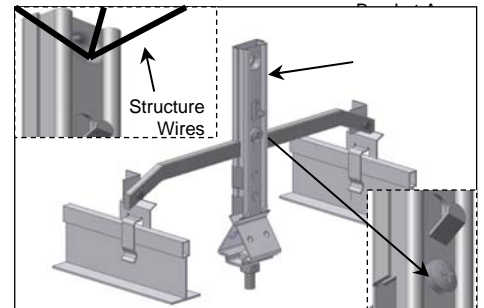
**C2. OFF-GRID INSTALLATION STEPS**



1. Insert bolt into Bracket A. Hook Bracket B onto Bracket A. Secure with nut (**DO NOT TIGHTEN**).



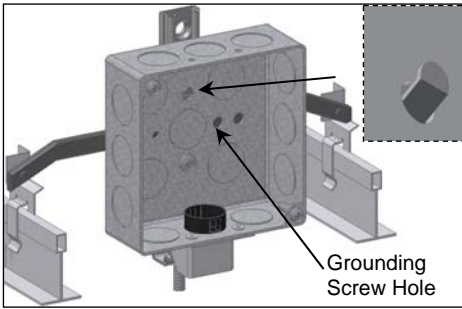
2. Slide hanger onto Caddy Bar and fit Caddy Bar into upper slots in bracket.



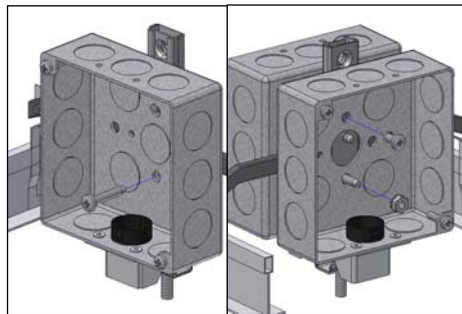
3. Adjust brackets to proper location then screw the brackets from A to B together. Secure the brackets to the structure above.

**UNIVERSAL MOUNTING KIT F1A4**  
**FEED LOCATION INSTALLATION**  
**INSTRUCTION**  
 Rev. C 11/11 ECO 3751

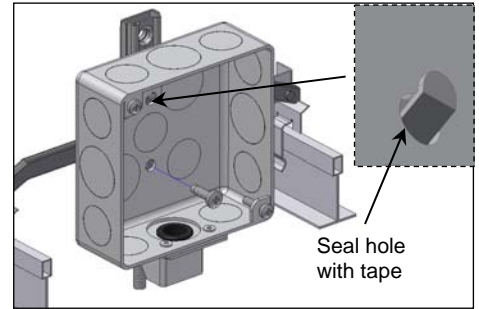
**PEERLESS LIGHTING**  
 2246 5TH STREET, BERKELEY CA. 94710  
 TEL: 510-845-2760 FAX: 510-845-2776  
 WEB SITE: WWW.PEERLESS-LIGHTING.COM



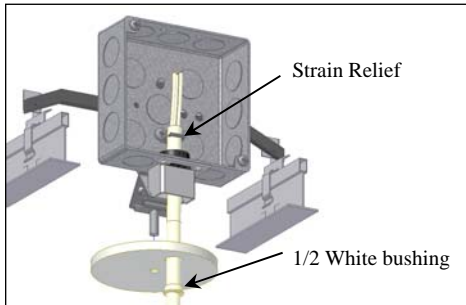
4. Hang J-Box on bracket A tab. For single feed, screw J-Box to bracket A.



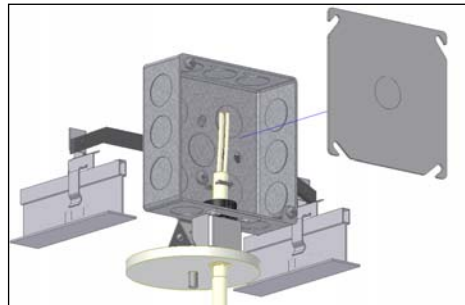
4A. For dual feeds, hang first J-box with long screw on bracket A. Take center knock-out on the second J-box. Screw second J-box to bracket B. Then add nut to connect two boxes together.



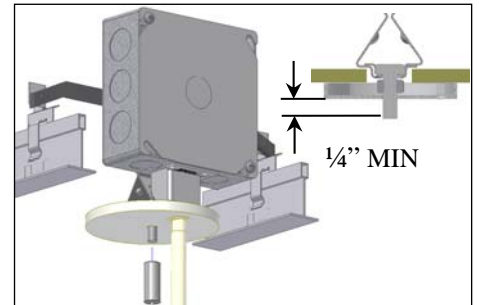
4B. For CP J-box. Hang J-box assembly on bracket tab. Screw J-box to brackets. Seal the hole with aluminum tape.



7. Insert feed cord into J-Box through bushing and canopy. Attach strain relief on the cord.



6. Connect wires and install the cover to J-Box with screws.



5. Place canopy flush with ceiling tile. Thread cable retainer onto bolt no less than 1/4".

**D) Bolt and Nut Selection**

TYPICAL GRID & TILE TYPE	ON-GRID			OFF-GRID		
	1/4-20X3/4" HEX BOLT B ≤ 5/16	1/4-20 HEX BOLT B > 5/16	1/4-20 HEX NUT	1/4-20X3/4" HEX BOLT A ≤ 1.5" & B ≤ 5/16"	1/4-20 HEX BOLT A > 1.5" OR B > 5/16	1/4-20 HEX NUT
TYPE 1 	YES		NO	YES	Use proper bolt length to meet min. 1/4" engagement	YES
TYPE 2 	YES	Use proper bolt length to meet min. 1/4" engagement	YES	YES	Use proper bolt length to meet min. 1/4" engagement	YES
TYPE 3 	YES		NO	YES	Use proper bolt length to meet min. 1/4" engagement	YES