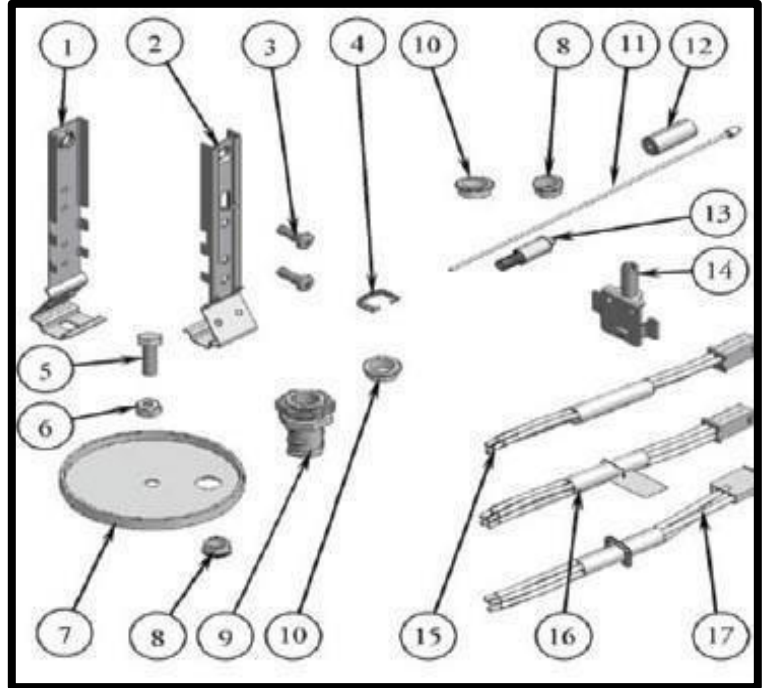


# Parts List

## Grid Ceiling Hardware Part List

FEED KITS		
Item#	Part#	Description
1	*226HCW - PMP001000	UMB Bracket B
	*222UJN - PMP001000	
2	*226HCX - PMP001100	UMB Bracket A
	*222UJH - PMP001100	
3	*229ANE - PHW003100	Screw, 10x5/8 TYPE B PAN PH
	*222UJG - PHW003100	
4	*236RVY - PHW003200	Strain Relief
	*260URN - PHW003200	
5	*226L9H - PHW003000	Bolt, Hex 1/4-20x3/4
	*237G06 - PHW003000	
6	*226L9K - PHW000700	Nut, Hex 1/4-20
	*223PE1 - PHW000700	
7	*227VKT - PMP000901	Canopy, 3 1/2" (Feed Only F1 mount)
	*222V54 - PMP000901	
8	*229GFG - PHW003600	Bushing, 1/2" White Shorty
	*227UHE - PHW003600	
9	*228UGK - PHW004100	Connector, Screw-in Fitting
	*265HC6 - PHW004100	
10	*230PKH - PHW001200	Bushing, 5/8" Black Shorty
	*231K2M - PHW001200	
11	*251P31 - PAM000300	Cable, ADJ 30inch
	*226MXU - PAM000300	
11	*240YTJ - PAM000302	Cable, ADJ 54inch
	*238HL8 - PAM000302	
12	*225XW2 - PMP000100	Cable Retainer, Upper
	*231K2N - PMP000100	
13	*227HUJ - PMP021600	ADJ Cable Gripper
	*230V3H - PMP021600	
14	*226V2C - PMP001800	Hanger, 10CRM/BRM
	*222UJ7 - PMP001800	
15	*222V58 - PAW001000	Feed Cord, 16/3 SCT 36inch
15	*227R79 - PAW001002	Feed Cord, 16/3 SCT 60inch
16	*222YA0 - PAW001100	Feed Cord, 16/4 DCT/ELS/DIM1 36inch
	*265ME6 - PAW001102	Feed Cord, 16/4 DCT/ELS/DIM1 60inch
17	*226RUX - PAW001200	Feed Cord, 16/3 EL/EC 36inch
17	*227E15 - PAW001202	Feed Cord, 16/3 EL/EC 60inch

Key: ■ (POM015) Ship from Winona MN  
 ■ (POM 074) Ship from Mexico



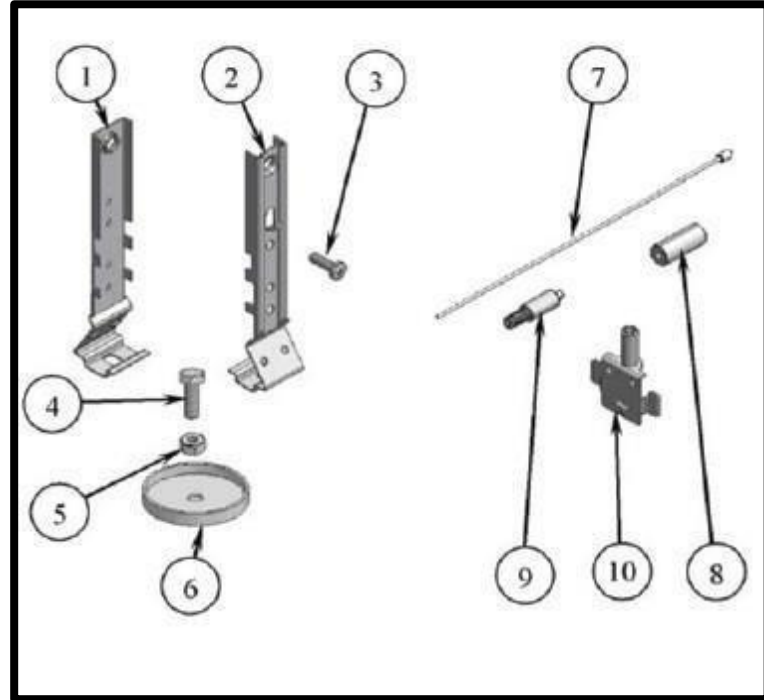
**NOTE:** These part numbers are for Grid Ceiling F1 suspended products only. For replacement parts on other suspended products or parts not shown, please contact factory.

# Parts List

## Grid Ceiling Hardware Part List

SUPPORT KITS		
Item#	Part #	Description
1	*226HCW - PMP001000	UMB Bracket B
	*222UJN - PMP001000	
2	*226HCX - PMP001100	UMB Bracket A
	*222UJH - PMP001100	
3	*229ANE - PHW003100	Screw, 10x5/8 TYPE B PAN PH
	*222UJG - PHW003100	
4	*226L9H - PHW003000	Bolt, Hex1/4-20x3/4
	*238G06 - PHW003000	
5	*226L9K - PHW000700	Nut, Hex 1/4-20
	*223PE1 - PHW000700	
6	*227VKU - PMP000800	Canopy, 2" (Support Only F1)
	*222PRW - PMP000800	
7	*251P31 - PAM000300	Cable, ADJ 30inch
	*226MXU - PAM000300	
7	*240YTJ - PAM000302	Cable, ADJ 54inch
	*238HL8 - PAM000302	
8	*225XW2 - PMP000100	Cable Retainer, Upper
	*231K2N - PMP000100	
9	*227HUJ - PMP021600	ADJ Cable Gripper
	*230V3H - PMP021600	
10	*226V2C - PMP001800	Hanger, 10CRM/BRM
	*222UJ7 - PMP001800	

Key: ■ (POM 015) Ship from Winona MN  
 ■ (POM 074) Ship from Mexico



ADDITIONAL PARTS		
Part #	Description	
*227YJG - PMP000704	Canopy, 5" Feed for F2 Mount	
*223WMM - PMP000704		
*227PVA - PMP000601	Mounting Strap, J-box for 5" Canopy	
*223RK7 - PMP000601		
*227KKC - PMP000705	Canopy, 5" Support (No J-box)	
*223RK4 - PMP000705		

END PLATES: Use fixture family name and add "EP" plus Color number

Example for Fluorescent fixtures: 10CRMEP C041.

Example for LED fixtures: 10CRMLEP C041.

End plates are considered one Pair of end plates.

NOTE: Not all fixtures break out with end plates separately.