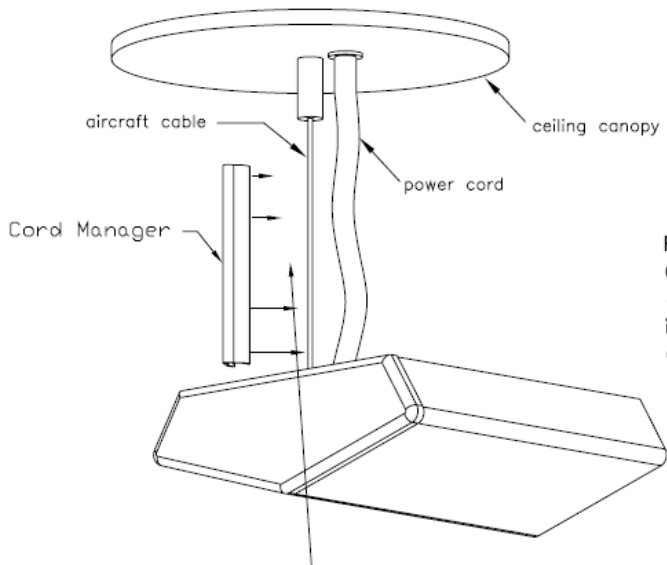


INSTALLATION INSTRUCTIONS

CORD MANAGER

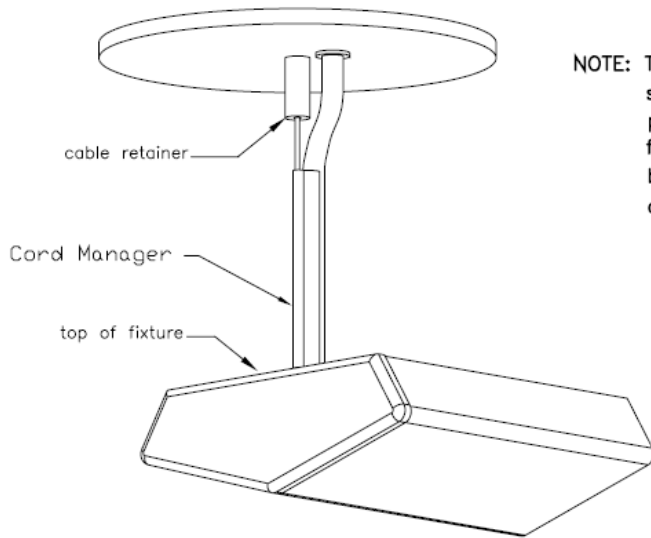
PIN001700 Rev. B 03/27/2017

WARNING: Please read the “important safety instructions” prior to installation. Please refer to mounting instructions for cable mounting kits F1, F1A, F2, F4A, F4B and F4C during installation. The mounting instructions can be found inside the mounting kits or downloaded from PeerlessLighting.com.



CROSS SECTION

First fit the small channel of the Cord Manager onto the aircraft cable; then press the power cord into the large channel of the Cord Manager.

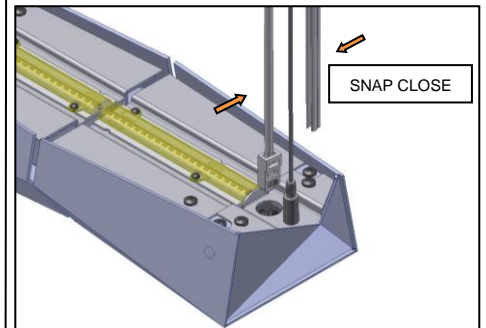


NOTE: The bottom of the Cord Manager should be mounted as close as possible to the top of the fixture with space located between top of Cord Manager and cable retainer.

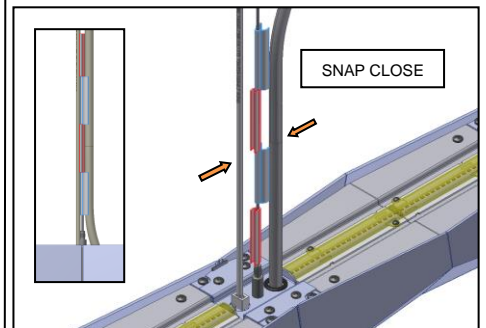
CAT5 CABLE CORD MANAGER



CROSS SECTION



Typical Cord Manager with CAT5 cable at non-feed location.



CAT5D or Dual Cord location

Cut the cord managers to approx. 6"-12" as needed. Attach the cords to aircraft cable with the cord manager in a staggered / zigzag pattern as necessary.