

General Installation Instructions

WARNING

To reduce the risk of death, injury or property damage from fire, electric shock, cuts, abrasions, falling parts and other hazards:

- Service of the equipment must be performed by qualified service personnel.
- Installation and maintenance must be performed by a person familiar with the construction and operation of this product and any hazards involved. All applicable codes and ordinances must be followed.
- Read this document before installing, servicing or maintaining this equipment or installing a lamp. These instructions do not cover all installation, service and maintenance situations. If your situation is not covered, or, if you do not understand these instructions or additional information is required, contact Peerless Lighting or your local Peerless Lighting distributor.
- Read and follow all warnings and instructions provided by the lamp manufacturer.

WARNING

Before installing, servicing or maintaining this equipment, follow these general precautions. To reduce the risk of electrocution:

- Make sure the equipment is properly grounded.
- Always de-energize the circuit and/or equipment before connecting to, disconnecting from or servicing the equipment.

To prevent luminaire row from over-current:

- By adding the input current of each luminaire section marked on the luminaire, the total current per power feed must not exceed the maximum line wire amperage marked on the luminaire and the power feed cord/wire amperage rating whichever is the least.

To reduce the risk of fire:

- Keep material away that can burn from hot lamp.
- Make sure lamps are correctly installed.
- Use supply conductors with a minimum installation temperature rating as specified on equipment.

To reduce the risk of personal injury from cuts, abrasions or falling parts:

- Wear gloves to prevent cuts or abrasions from sharp edges when removing from carton, handling and maintaining this equipment.
- Do not use abrasive materials, glass cleaners or other solvents on reflector or lens. These substances may damage equipment and cause parts to eventually break and fall.
- Do not install a damaged fixture.

CAUTION

Observe lamp manufacturer's recommendations and restrictions on lamp operation including but not limited to ballast type, burning position, replacement and cycling. Use only lamps that comply with applicable ANSI standards.

NOTICE: If lamp is marked (Hg) it contains mercury. Follow disposal laws. See www.lamprecycle.org

Peerless Lighting, a division of Acuity Brands Lighting, Inc., assumes no responsibility for claims arising out of improper or careless installation or handling of this product.

SAVE THESE INSTALLATION INSTRUCTIONS

Part Number: PIN004100 Revision: E Effective Date: 07/2012 ECO3665

PIN000400

HORIZONTAL J-BOX MOUNTING KIT INSTALLATION INSTRUCTIONS

Page 1 of 4, ECO 3606 REV. B, 3/11

P E E R L E S S

PEERLESS LIGHTING

2246 5TH STREET, BERKELEY CA. 94710

TEL: 510-845-2760 FAX: 510-845-2776

WEB SITE: WWW.PEERLESS-LIGHTING.COM

CAUTION: IT IS CRITICAL THAT SUPPORT LOCATIONS ARE LOCATED ACCURATELY. WE RECOMMEND THAT A LASER DEVICE BE USED TO LINE UP THE SUPPORT LOCATIONS ON FIXTURES HAVING MORE THAN ONE SECTION. IF NOT ALIGNED PROPERLY, A NOTICEABLE "BEND" MAY BE APPARENT WHEN VIEWED FROM THE END OF THE RUN.

"WARNING: RISK OF FIRE AND ELECTRICAL SHOCK. THIS PRODUCT IS TO BE INSTALLED BY A QUALIFIED ELECTRICIAN ONLY."

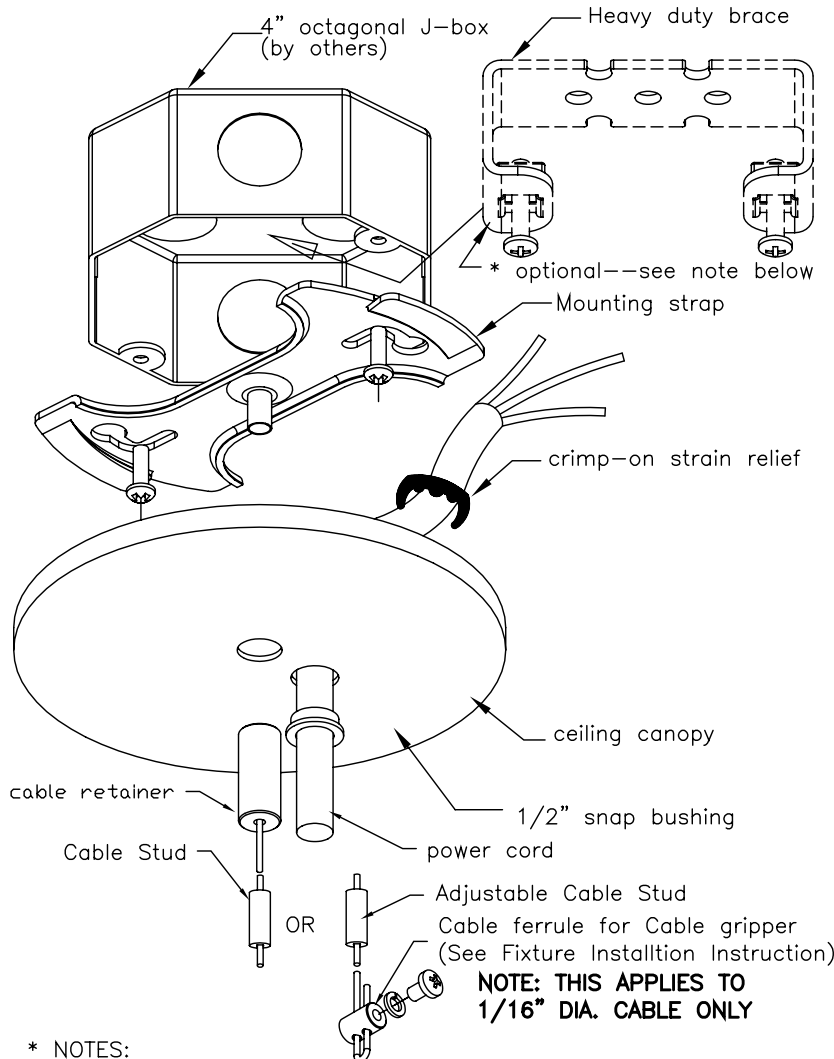
For ceiling mounting type, contractor needs to provide some or all of following parts to complete installation (see fig. 1 & 2).

- *) 4" octagonal x 1 1/2" deep J-box with 1/2" K.O. on middle of side.
- *) 1/4-20 stud.

NOTE: Cable retainer should engage to 1/4-20 stud no less than 1/4".

Ceiling must be level or <=10° slope. Use SLP and OJB option for >10° - see Page 4 of 4

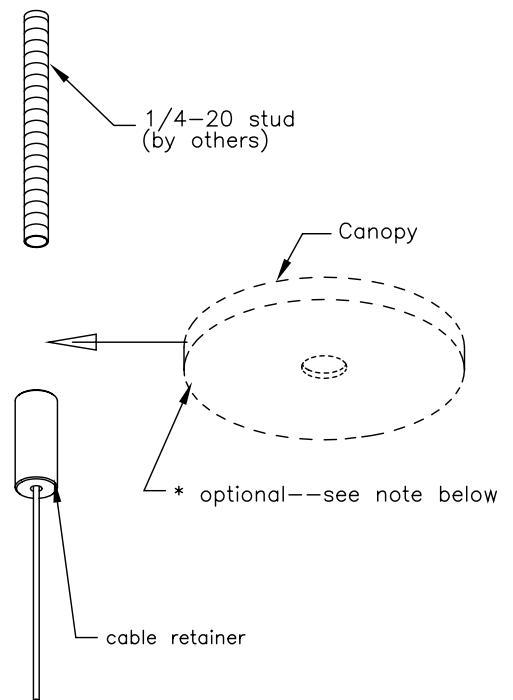
FIG. 1. AT FEED LOCATION



*** NOTES:**

This option is used at a mounting point where the fixture weight exceeds the 50 LBS. maximum weight allowance of a standard junction box. See page 3 for installation detail prior to installation of the junction box.

FIG. 2 AT NON-FEED LOCATION



*** NOTES:**

If you used 2" canopy or ordered 3-1/2" or 5" canopy for non-feed kit, please note that the suspension will be 1/4" longer than the suspension at power feed location. To level the fixture, you can adjust the threaded tubing on the fixture ($\pm 1/4$ " adjustment) if the ceiling is well leveled.

PIN000400

HORIZONTAL J-BOX MOUNTING KIT INSTALLATION INSTRUCTIONS

Page 2 of 4, ECO 3606 REV. B, 3/11

PEERLESS

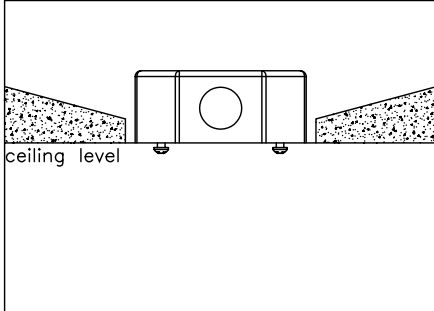
PEERLESS LIGHTING

2246 5TH STREET, BERKELEY CA. 94710

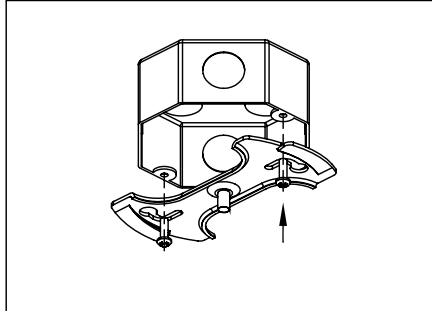
TEL: 510-845-2760 FAX: 510-845-2776

WEB SITE: WWW.PEERLESS-LIGHTING.COM

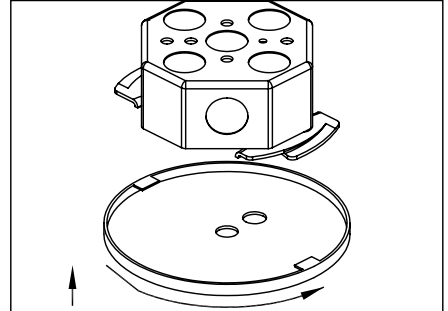
(1) AT FEED LOCATION



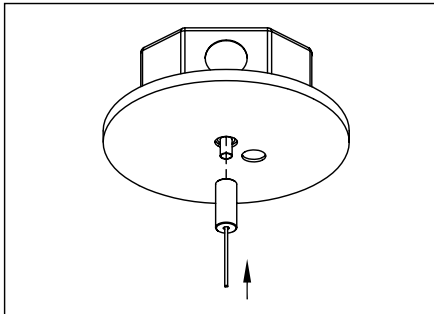
Step 1: Secure the 4" octagonal junction box so that it is flush with ceiling level.



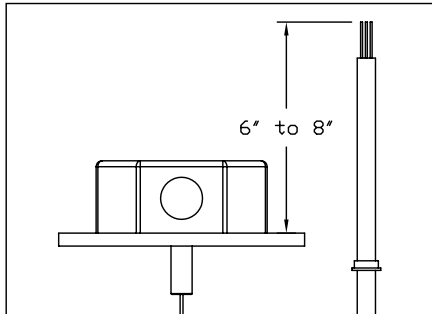
Step 2: Attach the mounting strap to the junction box and securely fasten.



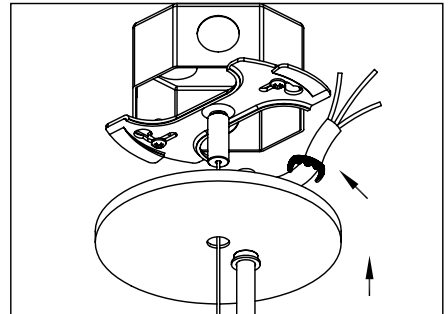
Step 3: Temporarily install the canopy to the mounting strap.



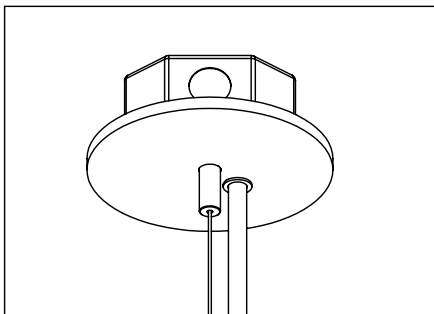
Step 4: Screw the cable retainer to the stud.



Step 5: Calculate the actual length of the cord required to reach the junction box, allowing 6" to 8" for splicing. Cut and strip the cord if necessary.

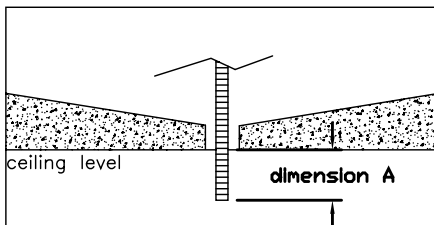


Step 6: Remove the canopy. Install the bushing. Insert the cord end through the canopy. Then install the insulated crimp strain relief (hog ring) above the canopy.



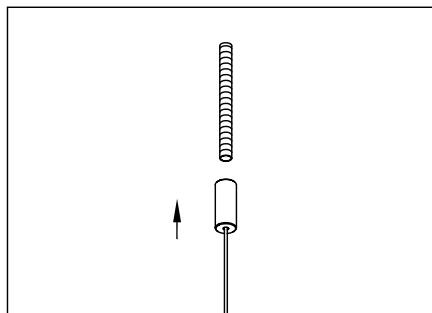
Step 7: Install canopy to mounting strap. This completes the installation.

(2) AT NON-FEED LOCATION

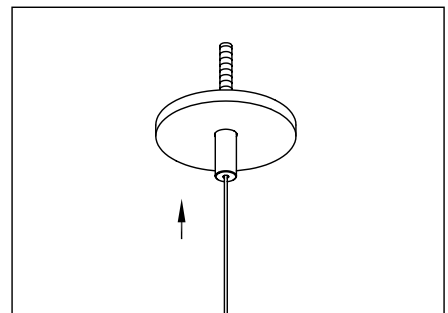


	dimension "A"
without canopy	3/8" to 5/8"
with canopy	5/8" to 3/4"

Step 1: Secure the 1/4-20 stud at the dimension shown.



Step 2: If canopy is not used, securely fasten the cable retainer to complete installation.



Step 2A: If canopy is used, insert the the canopy and securely fasten the cable retainer to complete installation.

PIN000400

HORIZONTAL J-BOX MOUNTING KIT INSTALLATION INSTRUCTIONS

Page 3 of 4, ECO 3606 REV. B, 3/11

PEERLESS

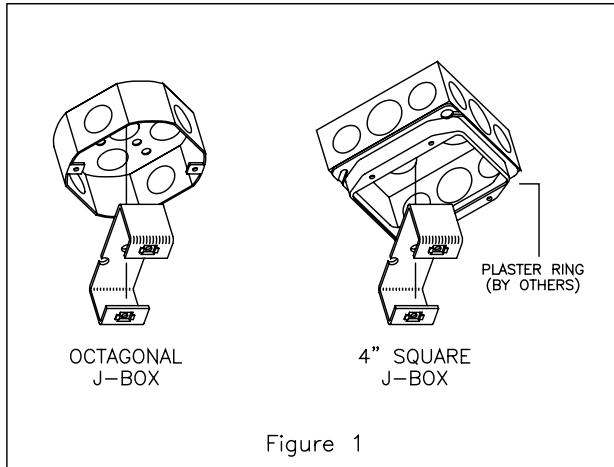
PEERLESS LIGHTING

2246 5TH STREET, BERKELEY CA. 94710

TEL: 510-845-2760 FAX: 510-845-2776

WEB SITE: WWW.PEERLESS-LIGHTING.COM

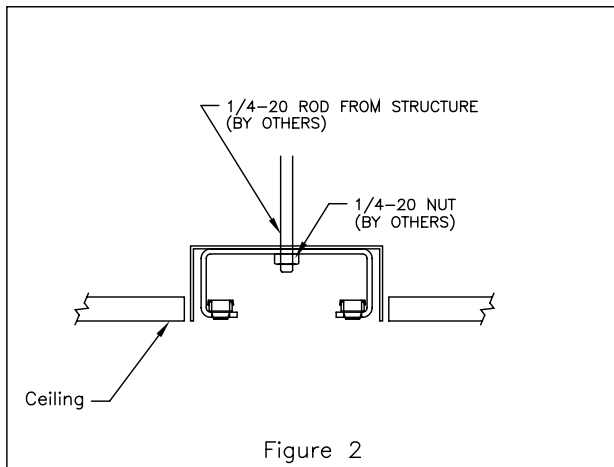
OPTION: INSTALL REINFORCE HEAVY DUTY BRACE



1. Insert the Heavy Duty Brace diagonally into the J-Box and align the holes in the bracket with the existing holes in the J-Box.

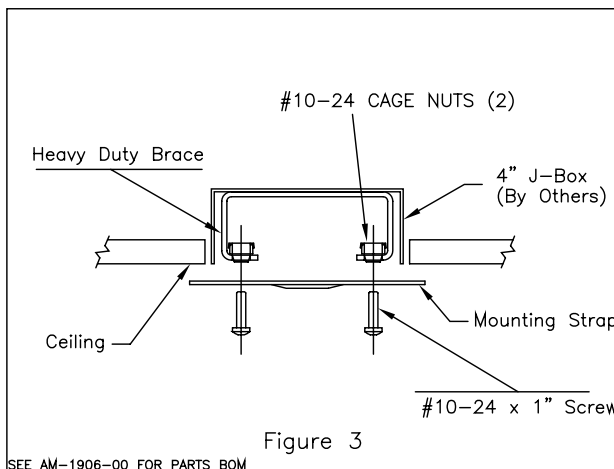
NOTE: This brace can be used with the TrueGrid[®] Kit #1 (LTG-M10).

NOTE: When using a 4" Square J-Box, a two device plaster ring must be used to allow insertion of the bracket after the box has been installed. See Figure 1.



2. Determine the appropriate support method for ceiling construction (sample method is shown on Figure 2).

Attach the appropriate fastening devices through the holes of the bracket and box and secure the assembly to the support structure.



3. Complete the installation in accordance with the fixture installation instructions, attaching the fixture mounting strap to the Heavy Duty Brace with the #10-24 machine screws provided. See Figure 3.

SEE AM-1906-00 FOR PARTS BOM

PIN000400

HORIZONTAL J-BOX MOUNTING KIT INSTALLATION INSTRUCTIONS

Page 4 of 4, ECO 3606 REV. B, 3/11

P E E R L E S S

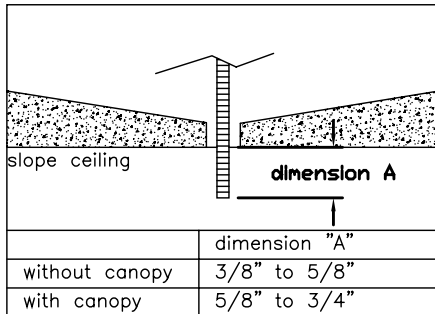
PEERLESS LIGHTING

2246 5TH STREET, BERKELEY CA. 94710

TEL: 510-845-2760 FAX: 510-845-2776

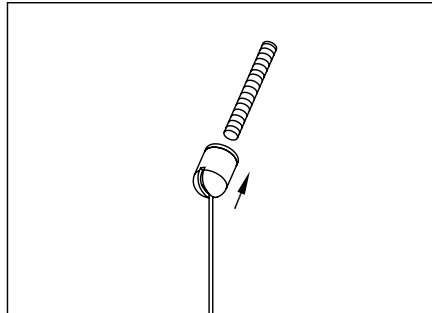
WEB SITE: WWW.PEERLESS-LIGHTING.COM

SLP PLUS OJB OPTION: Slop ceiling and offset j-box



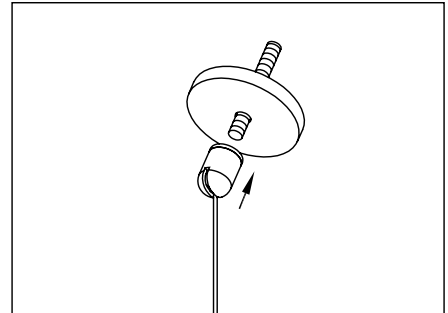
Step 1: Secure the 1/4-20 stud at the dimension shown.

NOTE: Stud must be perpendicular to the slope ceiling

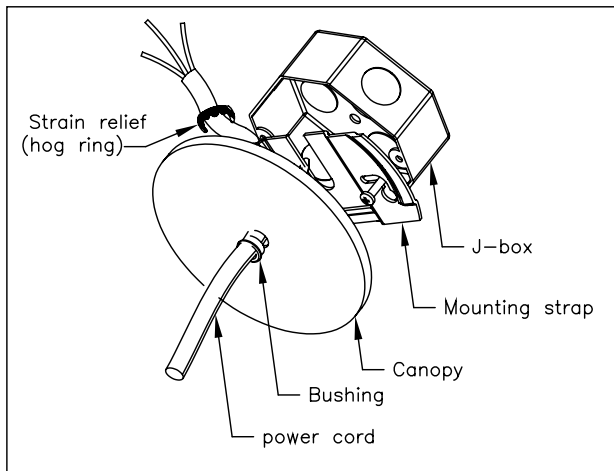


Step 2: If canopy is not used, securely fasten the cable retainer to complete installation.

NOTE: Open slot on the cable retainer must be placed vertical to allow adjustable cable hang perpendicular to the floor



Step 2A: If canopy is used, insert the the canopy and securely fasten the cable retainer to complete installation.



3. Secure the 4" octagonal junction box so that is flush with the slope ceiling.

4. Attach the mounting strap to the junction box and securely fasten.

5. Calculate the actual length of the cord required to reach the junction box, allowing 6 to 8 for splicing. Cut and strip the cord if necessary.

6. Install the bushing. Insert the cord end through the canopy. Then install the insulated crimp strain relief (hog ring) above the canopy.

7. Install canopy to mounting strap. This completes the installation.